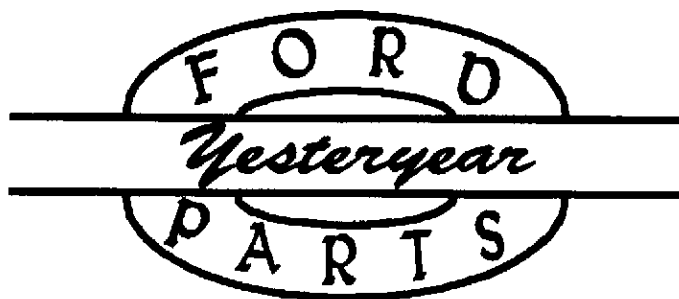


\$3.00

# 1948 TO 1956 TRUCKS



Technical Questions

517-676-4416

Orders Only

800-728-0762

Fax 517-676-3485

[WWW.YESTERYEARFORDPARTS.COM](http://WWW.YESTERYEARFORDPARTS.COM)



## 2012-13

*David Groh*

*4322 Curtice Rd.  
Mason, MI 48854*

# SERVICES OFFERED

At Yesteryear Ford Parts we rebuild the following items:

1. **Starters**, when we remanufacture a starter it gets all new parts except the housing. Parts include: armature, field coils, brushes, brush springs, all bushings, and cable post. The 6 volt starters will spin the engine almost as fast as 12 volt.
2. **Generators**, when we rebuild a generator it gets all new parts except the armature. The armature is replaced if there is any damage or shorts. New parts include: field coils, brush springs, bearing, bushing, posts, insulators and armature if needed.
3. **Babbitting**, We rebabbitt the model A and early V-8 engines.
4. **Engine rebuilding**, we offer expert rebuilding service for Flathead V-8, Model A and many other 6 and 8 cylinder engines.
5. **Valve Grinding**, we offer valve refacing and valve seat grinding on most any engine.
6. **Hard Valve Seat Installation**, we can cut and install hard valve seats in most any engine.
7. **Resurface Brake Drums**, we can resurface all Ford brake drums and most others.
8. **Custom Machining**, we are equipped with a large lathe and milling machine and can perform custom machining for your special needs.

## **INFORMATION**

- BUSINESS HOURS:** 8:00 am to 5:00 pm Monday through Friday,  
Saturday by appointment only and, closed Sunday.
- PHONE ORDERS:** **You must have the part number(s) to place an order.**  
Phone orders are accepted Monday through Friday  
between 8:00 am to 5:00 pm. We are often available  
on Saturdays. **ORDERS ONLY 800-728-0762**  
**Technical questions 517-676-4416**  
**(NO COLLECT CALLS.)**  
**24 Hour Fax Ordering 517-676-3485**

.....

### **SHIPPING, INSURANCE AND HANDLING COSTS:**

The following charges are for items shipped in the  
United States (except Alaska, Hawaii and foreign  
orders.) **Minimum shipping \$10.00.**

\$0-30.00.....add \$10.00 for shipping

\$30.01-50.00.....add \$9.00 for shipping

\$50.01 and up .....add 9% for shipping

Small orders can be mailed to save you on shipping.  
**Large light items will have oversize charges added  
which can significantly increase the cost.**

### **PAYMENT:**

Yesteryear Ford Parts accepts checks, money orders,  
Visa, Mastercard, Discover and C.O.D. (cash on  
delivery).

**There is a \$11.00 charge for C.O.D. orders.**

### **PRICES:**

We try to maintain prices as listed but due to the  
rapidly changing market, we reserve the right to  
change prices without notice.

### **SALES TAX:**

All items picked up at the store or shipped to an  
address within Michigan are subject to 6% sales tax.

### **TRUCK ORDERS:**

Parts too large for U.P.S. will be shipped by truck  
freight collect. All truck orders must be paid for in  
advance, no C.O.D. orders.

### **RETURNED ITEMS:**

We will replace any defective parts or parts shipped  
in our error. All other returns must be returned within  
30 days of the shipping date. The returned parts are  
subject to a 15% restocking charge. All returned items  
must include a copy of the original invoice.  
**NO RETURNS AFTER 30 DAYS.**

# INDEX

Antenna . . . . .	39
Arm Rest . . . . .	45
Battery . . . . .	7
Battery Tray . . . . .	7
Books . . . . .	49
Box Parts . . . . .	50-52
Brake Cables . . . . .	4
Brake Drum . . . . .	1
Brake Hose . . . . .	3
Brake Lines . . . . .	3
Brake Parts . . . . .	2-4
Brake Shoes . . . . .	2
Bumper . . . . .	38
Cab Mount . . . . .	9
Carburetor Kit . . . . .	22
Cigar Element . . . . .	26
Clutch Parts . . . . .	18-19
Cooling System . . . . .	20-21
Cowl Kick Panels . . . . .	46
Cowl Parts . . . . .	40
Cowl Vent Gasket . . . . .	40
Dash Knobs . . . . .	24-26
Dash Knob Bezel . . . . .	26
Decals . . . . .	50
Defroster Hose . . . . .	40
Dome Light . . . . .	30
Door Handle . . . . .	43-44
Door Panels . . . . .	46

Door Parts . . . . .	42-45
Door Seals . . . . .	42
Engine Parts . . . . .	9-16
Engine Specifications . . . . .	13
Exhaust Deflector . . . . .	8
Exhaust Parts . . . . .	7-8
Fan Belt . . . . .	20
Fender . . . . .	34
Fender Parts . . . . .	34
Firewall Cover . . . . .	40
Firewall Grommets . . . . .	34
Floor Mat . . . . .	41
Floor Pan . . . . .	48
Floor Parts . . . . .	41
Floor Plugs . . . . .	46
Front Axle . . . . .	4
Fuel Pump . . . . .	22
Fuel System . . . . .	21-22
Gas Cap . . . . .	21
Gas Tank Sealer . . . . .	21, 52
Gas pedal . . . . .	22
Gear Shift Knob . . . . .	18
Generator Parts . . . . .	23
Glove Box . . . . .	41
Grill Parts . . . . .	19
Headlight Parts . . . . .	27
Headliner . . . . .	45-46
Heater . . . . .	39-40

# INDEX

Hood Emblems . . . . .	35	Spark Plug . . . . .	27
Hood Parts . . . . .	35-36	Speed Equipment . . . . .	14-16
Horn Button . . . . .	5	Speedometer . . . . .	36
Horn Relay . . . . .	30	Spring Parts . . . . .	8-9
Hub Cap . . . . .	1	Starter Button . . . . .	24
Ignition System . . . . .	26-27	Starter Drive . . . . .	24
Key Blank . . . . .	6, 27	Starter Parts . . . . .	23-24
King Pins . . . . .	4	Steering Parts . . . . .	5
Light Bulbs . . . . .	47-48	Steering Wheel . . . . .	5
Master Cylinder . . . . .	2	Stop Light Switch . . . . .	30
Mirrors . . . . .	37	Sunvisor . . . . .	42
Motor Mounts . . . . .	11	Tailgate . . . . .	50
Oil Filter . . . . .	13	Taillamps . . . . .	28-30
Oil Pressure Sender . . . . .	22	Transmission . . . . .	16-18
Oil Pump . . . . .	13	Universal Joint . . . . .	16
Paints and Chemicals . . . . .	52-53	Vent Window Seals . . . . .	42
Panel Truck . . . . .	46-47	Voltage Regulator . . . . .	23
Patch Panels . . . . .	48-49	Windshield Seal . . . . .	41
Patent Plate . . . . .	30	Wiper Parts . . . . .	37-38
Parking Lamp . . . . .	28	Wiring . . . . .	31-34
Pedal Pads . . . . .	3	Wheel Bearing . . . . .	1
Points . . . . .	26	Wheel Bolt . . . . .	1
Radiator Cap . . . . .	20	Wheel Cylinder . . . . .	2
Radio . . . . .	39	Wheel Parts . . . . .	1
Rear Axle . . . . .	6	Wheel Seal . . . . .	1
Rear Window Seal . . . . .	45	Wheel Trim Ring . . . . .	1
Running Board . . . . .	35		
Shock Absorber . . . . .	39		

## WHEEL, HUB, AND DRUM PARTS

### Wheel Bolt and Nut

B-1012	Lug nut 1932-72	.80 ea.
8A-1107	Hub bolt F-1 front or rear 1948-56	2.50 ea.

### Brake Drum

8C-1125	F-100 front drum 1948-52	90.00 ea.
A8TZ-1125	F-100 front drum 1953-63	85.00 ea.
A8TZ-1126	F-100 rear drum 1948-67	80.00 ea.

### Hub Caps

6A-1130	Beautiful reproduction, stainless steel. F-1 1948-56	35.00 ea.
2J-1130-A	1948-56 3/4 ton, polished stainless steel	40.00 ea.

### Outer Beauty Rings

They all have a smooth contoured face, all stainless.

6A-18303-14	14" wheels	35.00 ea.
6A-18303-15	15" wheels	35.00 ea.
6A-18303-16	16" wheels	35.00 ea.

### Front Hub Grease Cap

51A-1139	F-1 press-in type 1948-56	3.00 ea.
----------	---------------------------	----------

### Front Brake Drum Seal

O1Y-1190	F-1 & F-2 1948-56	4.50 ea.
----------	-------------------	----------

### Rear Wheel Seal

OM-1177	F-1 1948-56	5.00 ea.
8D-1175	1951-52 F3, 48-56 F2 3.48" O.D.	21.00 ea.

### Rear Wheel Bearings and Retainer

8M-1180	F-1 bearing retainer 1948-70	7.00 ea.
8M-1225	F-1 bearing 1948-70	27.00 ea.
8D-1240	1951-56 F2, 1951-52 F3 outer bearing	38.00 ea.
B6D-1244-A	1948-56 F2, 1951-52 F3 inner bearing	20.00 ea.
91D-1243-A	1948-51 F2, inner race, 1951-56 F2, 51-52 F3 inner & outer race	14.00 ea.

### Rear Wheel Bearing Retainer Gasket

8M-2245	F-1 bearing retainer to backing plate 1948-66	3.00 ea.
8M-2245-A	axle housing to backing plate 1948-66	3.00 ea.

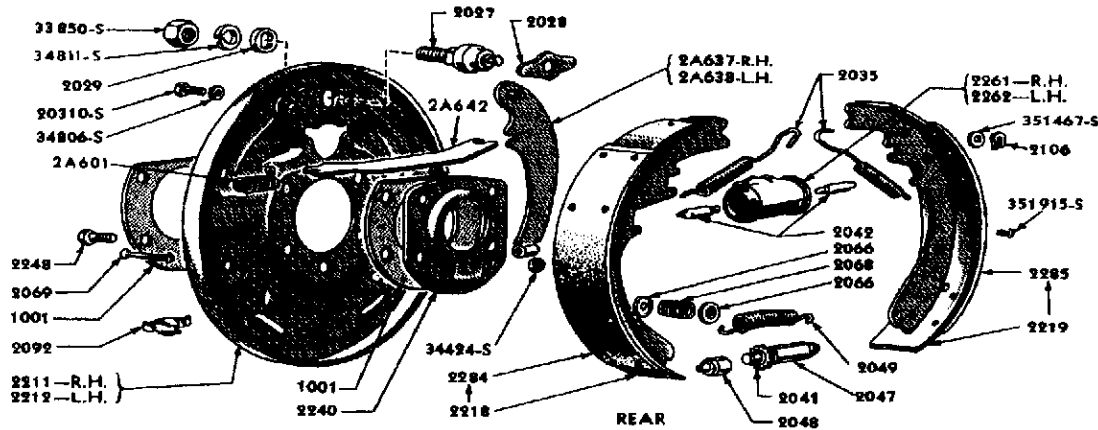
### Front Wheel Bearings

O1Y-1201	inner bearing F1-F2 1948-56, 48-52 F3	27.00 ea.
O1Y-1202	inner race 1948-56 F1 & F2, 48-52 F3	8.50 ea.
8A-1216	outer bearing 1948-56 F1 & F2, 48-52 F3	17.00 ea.
8A-1217	outer race 1948-56 F1 & F2, 48-52 F3	8.50 ea.

Most orders shipped same day !



**BRAKE PARTS**



**Relined Brake Shoes**

8C-2001	front shoes (4 shoes) F-1 1948-67	35.00 set
8C-2201	rear shoes (4 shoes) F-1 1948-67	35.00 set
033-2001	1951-67 F2 front & rear, 51-56 F3 front, 51-52 F3 rear	60.00 set
320-2201	1953-66 F3 rear	65.00 set

**Miscellaneous Brake Parts**

B5A-2035	brake shoe retracting spring F-1 1948-63	3.00 ea.
B7A-2041-S	brake shoe adjuster (starwheel) F-1 1948-63	8.50 ea.
H-2049	brake adjuster spring F-1 1948-63	2.50 ea.
19470-2A094-S	brake shoe hold down kit F-1 1948-64 each kit is enough for two backing plates	11.00 kit

**Master Cylinder Kit**

91A-2004	F-1 1948-56	15.00 ea.
----------	-------------	-----------

**Master Cylinder**

These are completely new cylinders.

91A-2140	F-1 1948-52	85.00 ea.
B3C-2140	F-1 1953-56	90.00 ea.

**Wheel Cylinders**

8C-2061	RH front F-1 1948-60	40.00 ea.
8C-2062	LH front F-1 1948-60	40.00 ea.
1D-2061-A	RH front 1951-60 F2, 1951-66 F3	35.00 ea.
1D-2062-A	LH front 1951-60 F2, 1951-66 F3	35.00 ea.
21A-2061	RH front 1948-51 F2-F3	55.00 ea.
21A-2062	LH front 1948-51 F2-F3	55.00 ea.
8M-2261	RH rear F-1 1948-54	34.50 ea.
8M-2262	LH rear F-1 1948-54	34.50 ea.
8A-2261	RH rear F-1 1955-72	26.00 ea.
8A-2262	LH rear F-1 1955-72	26.00 ea.
1D-2261-A	RH rear 1951-56 F2, 51-52 F3	45.00 ea.
1D-2262-A	LH rear 1951-56 F2, 51-52 F3	45.00 ea.
92Y-2261	1949-50 F-3 Rear	70.00 ea.

**Wheel Cylinder Kits**

A8C-2221 front cylinder	F-1 1948-67	4.50 ea.
A8C-2128 rear cylinder	F-1 1948-54	4.50 ea.
8A-2128 rear cylinder	F-1 1955-72	5.00 ea.

**Master Cylinder Push Rod**

91A-2143	F-1 1940-56	14.00 ea.
----------	-------------	-----------

**Brass Fittings**

8A-2074 block at rear axle housing	F-1 1948-56	8.00 ea.
8C-2076 master cylinder outlet block	F-1 1948-56	12.00 ea.

**Master Cylinder Floor Cover**

91A-7011136	1948-52 all	7.50 ea.
B5C-8111136	1953-56 all	15.00 ea.

**Master Cylinder Outlet Bolt**

91A-2077	F-1 1948-56	6.00 ea.
----------	-------------	----------

**Brake Hoses**

8C-2079	front 1948-52	16.00 ea.
TAAA-2078	front 1953-56	18.00 ea.
8A-2078	rear 1948-60	20.00 ea.
01T-2078	rear 1948-52 F2,3,4,5,6	18.00 ea.

**Pedal Bumpers**

7C-2473	1948-56 pickup	4.00 pr.
---------	----------------	----------

**Brake Hose Clip**

78-2814	1939-52 all	1.10 ea.
---------	-------------	----------

**Brake Line**

The brake line comes in a 25 foot roll.

91A-2269	1/4" od	25.00 roll
8C-2269-B	3/16" od	25.00 roll

**Brake Line Guard**

This is a coil placed in exposed areas of the brake line to protect it from damage.

91A-2269-G	for 1/4" line sold in 24" pieces	6.00 ea.
8A-2269-G	for 3/16" line sold in 24" pieces	6.00 ea.

**Brake Line Kits**

These line kits are pre-bent stainless steel with all fittings and guards installed. Ready to put in.

8C-2269-Kit	1948-52 F-100	155.00 kit
BAAA-2269-kit	1953-56 F-1	155.00 kit
8C-2162	1948-52 master cylinder cap	12.00 ea.

**Pedal Pads**

11A-2454	F-1 & F-2 1941-56	17.00 pr.
7RT-2454-PR	1948-56 F5-F9, 53-56 F3	20.00 pr.

**Brake Pedal Return Spring**

01T-2472	1948-52 pickup	4.00 ea.
----------	----------------	----------

Most orders shipped same day !

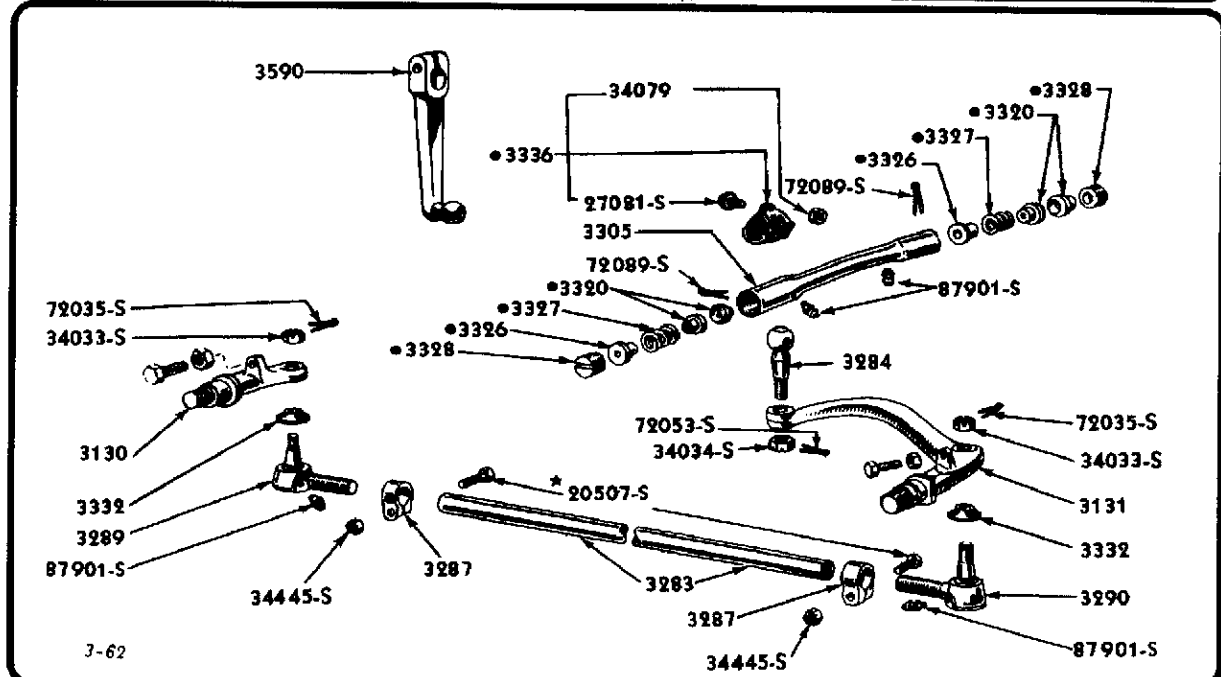




**Brake Cables**

2C-2853	front F-1 1948-52	45.00 ea.
TAAA-2853-A	front F-1 1953-56	35.00 ea.
BITZ-2A635	rear F-1 1948-52	35.00 ea.
TAAA-2A635-A	rear F-1 1953-60	35.00 ea.

**FRONT AXLE**



**Axle Bumpers**

7RC-3020	front F-1, F-2, & F-3 1948-60	7.00 ea.
11A-3020	rear F-1 1948-54	8.00 ea.

**King Pins**

Complete kit for both sides.

21A-3111	F-1, F-2 & F-3 1948-52	55.00 ea.
B3C-3111-A	F-1 & F-2 1953-56	65.00 ea.

**Tie Rod and Ends**

11A-3270	tie rod end RH 1935-64	15.00 ea.
11A-3271	tie rod end LH 1935-64	15.00 ea.
8M-3332	tie rod end seal 1948-56	1.00 ea.
21A-3283	tie rod tube F-1, F-2 & F-3 1948-52	50.00 ea.
TAAA-3281	tie rod tube F-100 & F-250 1953-60	55.00 ea.
TAAA-3284	ballstud F-1 1948-56	20.00 ea.

**Drag Link**

TAAA-3304-S	drag link replacement with 1948-56 internal parts F-1, F-2, F-100 & F-200	125.00 ea.
7RC-3328	end adjustment screw 1948-56	2.50 ea.
7RC-3336	rubber cover for drag link 1948-56	5.00 ea.
A8TZ-3A533-A	drag link end repair kit 1948-56 fits F-1, F-2, F-100 & F-250	15.00 kit

**Pitman Arm**

8C-3590	Pitman arm F-1, F-2 & F-3 1948-52	55.00 ea.
TAAA-3590	Pitman arm F-100 & F-250 1953-56	70.00 ea.

**Steering Column, Clutch and Brake Arm to Floor Seals**

7C-3513	above seals for column shift 1948-52	6.00 ea.
7C-3513-A	above seals for floor shift 1948-52	6.00 ea.
7C-3515	steering column to floor mat seal 1948-52	
	column shift (goes over mat)	10.00 ea.
7C-3515-A	steering column to floor mat seal 1948-52 floor shift	10.00 ea.
BAAA-3513	steering column, clutch & brake 1953-56 arms to floor seal column shift (goes under metal plate)	8.00 kit
BAAA-3513-A	steering column, clutch & brake 1953-56 arms to floor seal floor shift	8.00 kit

**Steering Box Bearings**

B-3552	upper race F-100 thru 250 1948-60	12.00 ea.
8A-3553	lower race F-100 thru 250 1948-60	22.00 ea.
68-3571	bearing steering worm roller 1948-60 F-100 thru F-250	9.00 ea.

**Sector Shaft**

7RC-3575	steering sector F-1, 2 & 3 1948-52	Call for availability
7C-3575-X	sector roller kit 1948-52 (includes roller and pin)	80.00 ea.
B6C-3575	sector shaft 53-56 F1	Call for availability

**Sector Shaft Bushings**

78-3576	bushing steering sector shaft F-1,2,3 1948-52 ( 2 req.)	4.00 ea.
81T-3576	bushing steering sector shaft F-100 to 600 1953-56	4.50 ea.

**Steering Box Gaskets and Seals**

7C-3581	steering box gasket set F-1 & 2 1948-60	9.00 kit
8A-3591	sector shaft seal F-1, 2 & 3 1948-52	3.00 ea.
8M-3591	sector shaft seal F-100, 250 & 350 1953-60	5.00 ea.
21C-3738-A	steering shaft felt seal 1948-60	3.00 ea.

**Steering Wheel**

8T-3600	1948-52 F1-F6	200.00 ea.
TAAA-3600	1953-55 F1-F6	200.00 ea.
B6C-3600	1956-60 F1-F6	200.00 ea.

**Steering Column to Bracket Anti-Squeak**

TAAA-3693	column to bracket rubber anti-squeak 1953-56	3.00 ea.
7C-3679-S	column bracket to dash anti-squeak 1948-52	2.00 ea.

**Horn Button**

7HC-3627-C	horn button 1948-52	18.00 ea.
BAAA-3627	horn button painted white 1953-60	45.00 ea.
BAAA-3627-SS	horn button polished stainless steel 1953-60	50.00 ea.
BAAA-3267-ANV	50th Anniversary horn button 1953	45.00 ea.
BAAA-3627-A	50th Anniversary complete horn button 1953	75.00 ea.
B4C-3627-SS	horn button 5 star cab polished stainless 1954-56	45.00 ea.
B4C-3627-A	horn button 5 star cab with black center 1954-56	45.00 ea.
B6C-3627-A	horn button with red center 1956	50.00 ea.

Most orders shipped same day !

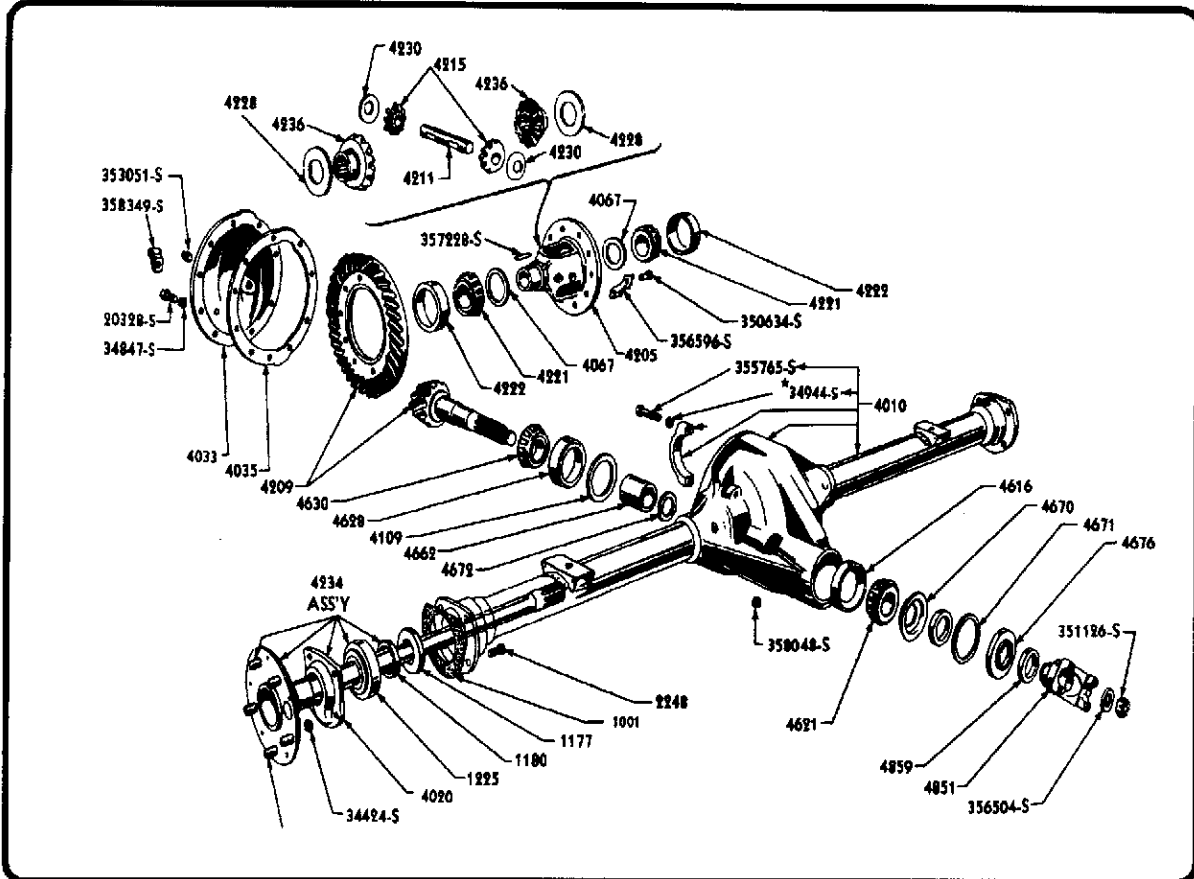


**Horn Button Parts**

A7TZ-13A807-A	1948-60 F1-1100 horn button spring	5.00 ea.
7RC-3631	horn button contact plate 1948-60	5.00 ea.

**Key Blanks**

1A-3685-A	ignition & door 1948-52	4.50 ea.
BA-3685-A	ignition & door 1953-66	4.50 ea.
BA-3685-ANV	1953-66 pu 50th anniversary blank	10.00 ea.



**REAR AXLE PARTS**

**Rear Axle Gaskets and Seals**

8M-4035	differential housing gasket F-1 1948-50	9.00 ea.
1M-4035	differential housing gasket F-1 & 100 1951-56	6.00 ea.
8M-4676	drive pinion seal F-100 1948-56	7.50 ea.

**Differential Bearings**

8M-4221	1948-56 F-1 bearing, 2 required	31.00 ea.
8M-4222	1948-56 F-1 race, 2 required	16.00 ea.

**Pinion Bearing (1948-56 F-1)**

8A-4616	front cup, 1 required	11.00 ea.
8M-4621	front bearing, 1 required	29.00 ea.
8A-4628	rear cup, 1 required	13.00 ea.
8M-4630	rear bearing, 1 required	30.00 ea.

**BATTERY****Ford Script Battery**

These have a 4 year pro-rated warranty. Available in 6 & 12 volt  
2HF-O Optima battery in Ford script case

310.00 ea.

**Battery Carrier and Related Parts**

B3C-5162-A	battery splash shield rubber 1953-56	4.00 ea.
11A-5175-E	battery hold down J bolt 1948-52 pu	3.50 ea.
11A-5179-S	battery hold down nut & washer kit 1948-52	3.50 ea.
7HC-10732-C	battery tray assembly - 6 cylinder 1948-51	100.00 ea.
7RA-10732-C	battery tray 1948-52 V-8	80.00 ea.
BAAA-10732	battery tray 1953	55.00 ea.
B4C-10732-D	battery tray 1954-55	65.00 ea.
B6C-10732-A	battery tray F-100 thru F-800 1956	65.00 ea.
BAAA-8101645-B	battery hold cover seal 1953-55	12.00 ea.
B6C-8101645-B	battery hold cover seal 1956	12.00 ea.
51A-17526	battery hold down frame	20.00 ea.

**Battery Cables**

8A-14431-NS	1948-52 solenoid to starter	16.00 ea.
8A-14301-NS	1948-52 battery to ground	14.00 ea.
8A-14300-NS	1948-52 battery to solenoid	13.50 ea.

**EXHAUST****Mufflers**

7HC-5230	F-1 thru F-6 1948-53	65.00 ea.
TAAD-5230-C	F-100 1954-60	50.00 ea.

**Front Exhaust Pipes**

7RC-5246	front exhaust pipe V-8 F-1 1942-52	65.00 ea.
B4C-5245-A	front exhaust pipe 6 cyl. F-100 & 250 1954-56	35.00 ea.
7HC-5246-C	front exhaust pipe 6 cylinder 1948-51	58.00 ea.
TAAE-5246-B	front exhaust pipe V-8 1954-56	35.00 ea.
TAAA-5246-B	front exhaust pipe 6 cylinder 1953	45.00 ea.

**Tailpipes**

8C-5255	6 cylinder, 1/2 ton and V-8 1948-52	55.00 ea.
B5C-5255-A	6 cylinder, 1/2 ton short type, and V-8 1954-60	38.00 ea.

**Clamps and Hangers**

21C-5270	header pipe to muffler clamp 1942-56	2.00 ea.
21C-5260	tailpipe hanger 1942-56	9.00 ea.
7C-5200-S	1948-52 F-1 complete hanger set	35.00 set

Most orders shipped same day !



**Crossover Pipes**

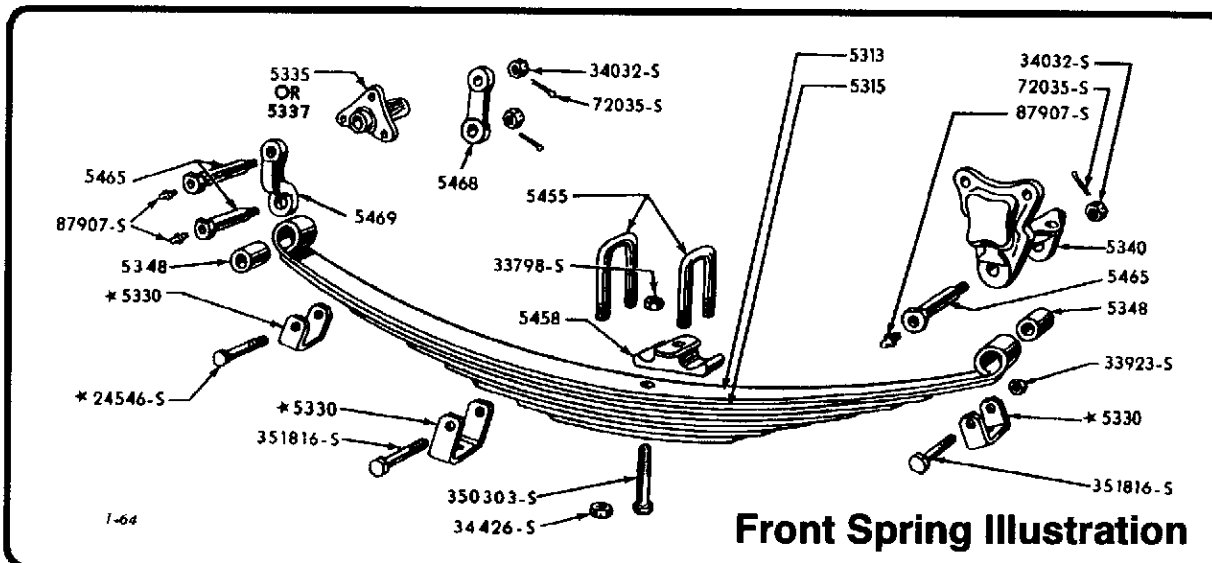
59C-5267	V-8 1942-53	30.00 ea.
B5A-5267	V-8 F-100 & F-250 1954-56	55.00 ea.
B4C-5267-A	6 cyl F-100 & F-250 1954-56	35.00 ea.
EBU-5267	V-8 1954	55.00 ea.

**Exhaust Gaskets**

C1SZ-9450	gasket for exhaust man. to inlet pipe 1954-66 V-8, 6 cyl	2.50 ea.
18-9433	gasket set for exhaust manifold to block 1948-53	8.00 set
EPB-9433	intake and exhaust gasket 223 6 cyl.	15.00 ea.

**Exhaust Deflectors**

51A-18529-A	stainless steel Ford script ALL	18.00 ea.
51A-18529-B	stainless steel V-8 ALL	18.00 ea.
51A-18529-P	stainless steel Plain ALL	15.00 ea.



**Front Spring Illustration**

**Front Spring Shackle Kits**

7C-5300-S	for both springs F-1, 2 & 3 1948-52	60.00 kit
BAAA-5300-S	for both springs F-100 & 250 1953-56	50.00 kit

**Front Spring Shackle Parts**

7RC-5334	front bracket bushings 4 required 1948-52	2.00 ea.
7RC-5335	front hanger F-1, 2 & 3 1948-52	25.00 ea.
TAAA-5335	front hanger F-100 & 250 1953-56	25.00 ea.
B5C-5340	rear hanger F-100 & 250 1953-56	25.00 ea.
21C-5344	front bracket bushing F-100 & 250 1953-56	8.00 ea.
21C-5348	spring shackle bushing 1948-56	5.00 ea.
B3C-5455	front spring U-bolt F-1 & F-100 1942-56	7.50 ea.
21C-5465	stud, front spring 4 required F-1, 2 & 3 1948-52 6 required F-100 & 250 1953-56	8.00 ea.
7RC-5465	stud, 2 required F-1, 2 & 3 1948-52	12.00 ea.
7RC-5468	front spring shackle bar - inner 1948-56	5.00 ea.
7RC-5469	front spring shackle bar - outer F-1 & 2 1948-52	6.00 ea.
B5C-5469	front spring shackle bar - outer F-100/250 1953-56	5.00 ea.

**Rear Spring Shackle Kits**

7C-5630 for both rear springs 1948-56 60.00 kit

**Rear Spring Shackle Parts**

21C-5701 rear spring U-bolt 4 per vehicle 1942-56 8.50 ea.  
 21C-5775 hanger F-1 1942-52 35.00 ea.  
 21C-5776 swing hanger F-1 1942-52 35.00 ea.  
 TAAA-5776-A swing hanger F-100 1953-56 33.00 ea.  
 21C-5780 pin requires 6 F-1 & F-100 1942-56 6.00 ea.  
 21C-5781 bushing spring F-1 & 100 1942-56 11.00 ea.  
 21C-5791 bush spring shackle F-1 & 100 1942-56 6.00 ea.  
 TAAA-5775 spring to frame bracket 53-56 F-1 32.00 ea.

**Cab to Frame Pads and Mounting Kits****1948-52 Cab mounting**

7C-5352 arm assembly - cab to frame 1948-56 25.00 ea.  
 complete with bushings forged type  
 7C-5360 pad at rear of cab to frame 1948-52 8.00 pr.  
 suspension arm - rubber 8.00 pr.  
 7C-5370-S front of cab\frame pad upper-rubber 1948-52 8.00 pr.  
 7C-5371-S front of cab frame pad lower-rubber 1948-52 8.00 pr.  
 7C-5387 bushing at rear of cab to frame 1948-56 4.00 set  
 suspension arm set of four-rubber 25.00 kit  
 7C-5400-SS cab to frame pad & bushing kit 1948-52 25.00 kit  
 7C-5404-KIT bolts to mount cab to frame 1948-52 25.00 kit

**1953-56 Cab mounting**

7C-5352 arm assembly - cab to frame 1948-56 25.00 ea.  
 complete with bushings forged type 25.00 kit  
 BAAA-5404-KIT bolts to mount cab to frame 1953-56 8.00 pr.  
 BAAA-5360 pad at rear of cab to frame 1953-56 8.00 pr.  
 suspension arm- rubber 15.00 kit  
 BAAA-5370-S front of cab to frame pad upper-rubber 1953-56 24.00 pr.  
 BAAA-5371-S front of cab\frame pad lower-rubber 1953-56 10.00 pr.  
 BAAA-5400-A cab to frame pad & bushing kit 1953-56 24.00 pr.  
 BAAA-8102058 upper cab mount cups on top of large mount 1953-56 10.00 pr.  
 BAAA-8102060 metal cup under large cab mount rubber 1953-56

**ENGINE PARTS****Engine Overhaul Gasket Sets**

8BA-6008 V-8 239 1948-53 85.00 ea.  
 7HA-6008 6 cylinder 226 1947-51 127.50 ea.  
 B2A-6008-A 6 cylinder 215 1952-53 6 cylinder 223 1954-64 82.50 ea.  
 B6A-6008 V-8 256 and 292 1954-64 110.00 ea.

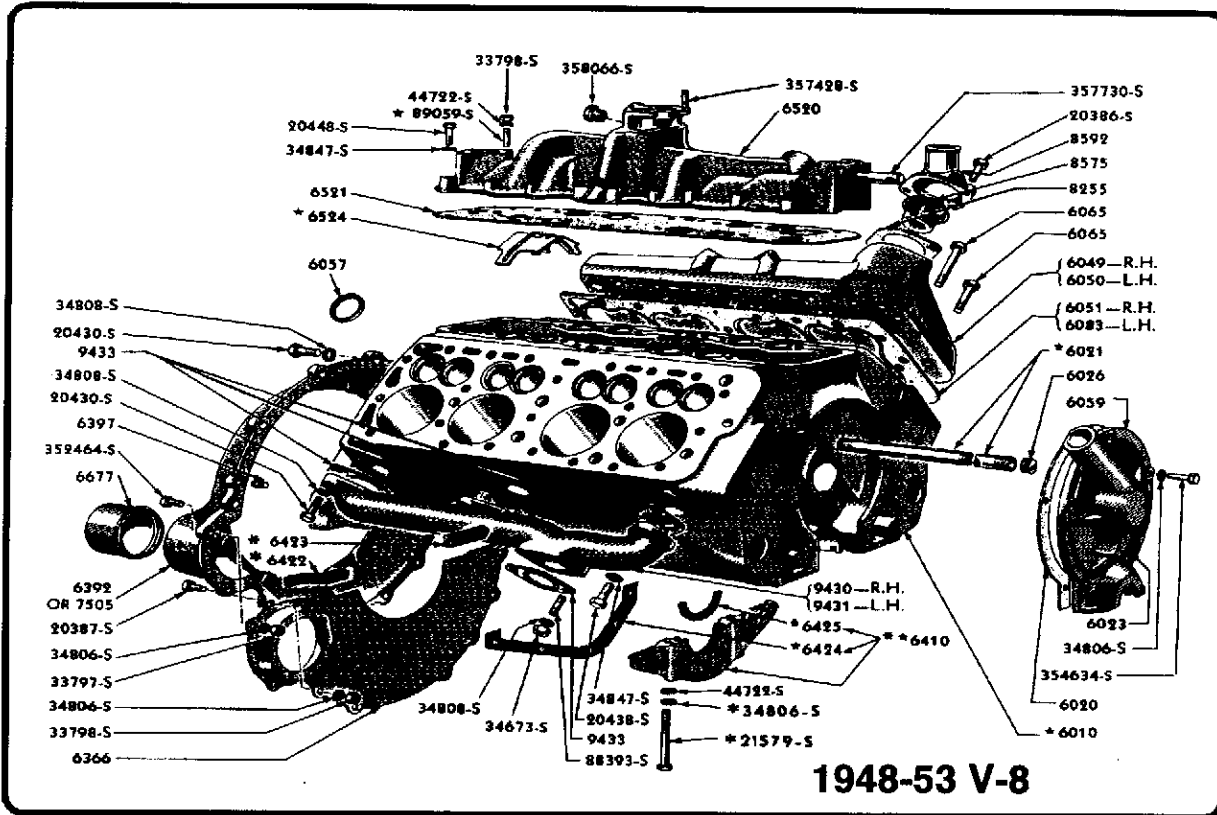
Most orders shipped same day !



### Head Gaskets

EAB-6051-RH      RH side V-8 1948-53  
 EAB-6083-LH      LH side V-8 1948-53

26.50 ea.  
 26.50 ea.



### Valve Cover Gaskets

B2AZ-6A506-A      rocker arm cover gasket 6 cylinder 215 & 223 1952-59  
 B4AZ-6A506-A      rocker arm cover gasket 8 cylinder 1954-59

11.00 set  
 12.50 set

### Fuel Pump Push Rod Bushing

8BA-6025      1948-53 V-8

5.00 ea.

### Intake Manifold to Block Gaskets

8BA-6521      V-8 1948-53

12.00 ea.

### Oil Pan Gasket Sets

8BA-6781      V-8 1948-53  
 C0AZ-6710-B      V-8 OHV 272 1955-56  
 C0AE-6710-A      6 cyl. OHV 215 1952-53, OHV 223 1954-56

17.50 ea.  
 13.00 ea.  
 12.00 ea.

**Pistons**

V-8 3- 3/16" bore, sold in sets of 8. 1949-53

8BA-6108-STD	pistons - standard size	275.00 set
8BA-6108-020	pistons - .020 oversize	275.00 set
8BA-6108-030	pistons - .030 oversize	275.00 set
8BA-6108-040	pistons - .040 oversize	275.00 set
8BA-6108-060	pistons - .060 oversize	275.00 set
8BA-6108-080	pistons- .080 oversize	275.00 set

**Piston Pin Clip**

78-6140	1932-53 V-8	.20 ea.
---------	-------------	---------

**Piston Rings**

V-8, sold in sets only.

8BA-6149-STD	piston rings - standard	85.00 set
8BA-6149-020	piston rings - .020 oversize	85.00 set
8BA-6149-030	piston rings - .030 oversize	85.00 set
8BA-6149-040	piston rings - .040 oversize	85.00 set
8BA-6149-060	piston rings - .060 oversize	85.00 set
8BA-6149-080	piston rings- .080 oversize	85.00 set

**Front Motor Mounts**

B5S-6038-A	upper motor mounts 6 & 8 cyl. need 1 F-100 1953-56	22.00 ea.
TAAA-6039-A	lower motor mounts 6 & 8 cyl. need 1 F-100 1953-56	4.00 ea.
8L-6038-B	front motor mount upper need 2 1952	15.00 ea.
8L-6039-B	front motor mount lower 2 required 1952	9.00 ea.
78-6038-K	motor mount complete kit. 2 kits per engine 6 & V-8 1948-51	20.00 kit

**Cylinder Head Bolts**

8BA-6065	20 per engine 1.94" long V-8 1948-53	1.50 ea.
8BA-6066	28 per engine 2.26" long V-8 1948-53	1.75 ea.

**Rear Motor Mounts**

21A-6068	rear motor mounts 6 & 8 cyl. F-1 need 1 1942-52	32.00 ea.
TAAA-6068-A	rear mtr mount upper 6 & 8 cyl F-2 & 100 need 2 1953-56	15.00 ea.
C0TT-6061-B	rear motor mounts lower 1953-56	7.00 ea.
8T-5089	rear mount 1948-52 F2-F6	35.00 ea.

**Connecting Rod**

8BA-6200	connecting rods - new old stock V-8 1948-53	35.00 ea.
21A-6207	bushing connecting rod wrist pin V-8 1948-53	2.00 ea.

**Rod Bearings (sold in pairs)**

0BA-6211-STD	rod bearings standard 1948-53 V-8	30.00 ea.
0BA-6211-010	rod bearings .010 undersize 1948-53 V-8	30.00 ea.
0BA-6211-020	rod bearings .020 undersize 1948-53 V-8	30.00 ea.
0BA-6211-030	rod bearings .030 undersize 1948-53 V-8	30.00 ea.
0BA-6211-040	rod bearings .040 undersize 1948-53 V-8	30.00 ea.

Most orders shipped same day !





**Crankshaft Parts**

8BA-6306	crankshaft gear V-8 1948-53	40.00 ea.
357654-S	crankshaft gear woodruff key V-8 1948-53	1.00 ea.
8BA-6362	pulley extension V-8 1948-53	4.00 ea.
B8A-6306-B	crank gear 6 cyl-215, 223 8 cyl-239, 272, 292, 312 1954-64	10.00 ea.
8BA-6307	crankshaft journal plug Ford crank 48-53 V-8	1.25 ea.

**Main Bearings**

1BA-6330-STD	main bearings standard 1948-53 V-8	125.00 set
1BA-6330-010	main bearings .010 1948-53 V-8	125.00 set
1BA-6330-020	main bearings .020 1948-53 V-8	125.00 set
1BA-6330-030	main bearings .030 1948-53 V-8	125.00 set

**Camshaft**

01A-6260-S	camshaft bearings kit V-8 1948-53	25.00 set
8BA-6256-A	camshaft timing gear aluminum V-8 1948-53	62.00 ea.
EAA-6256	camshaft gear sprocket 6 cyl.-215, 223 1954-64 8 cyl.-239, 272, 292, 312 1954-64	22.00 ea.
EAA-6268	timing chain 6 cyl 215,223 8 cyl. 239,272,292,312 1954-64	27.50 ea

**Flywheel Ring Gear**

8BA-6384	V-8 1948-53 6 cyl. with 10" clutch	40.00 ea.
EAM-6384-A	15 teeth 8 cyl. 279,317,302,332 1952-57	30.00 ea.
8HA-6384	6 cyl. with 11" clutch 114 teeth	40.00 ea.
2GA-6384	1948-49 6 cyl. 112 teeth	40.00 ea.

**Flywheel Housing Seal**

8RT-6410-S	flywheel housing cover seal metal V-8 1948-52	16.00 ea.
8BA-6411	flywheel housing cover seal rubber V-8 1953	12.50 ea.

**Valves**

8BA-6505	valve exhaust and intake used with solid guide 1948-53	9.00 ea.
----------	--	----------

**Lifters**

8BA-6500	valve tappet V-8 1948-53	5.00 ea.
91A-6500-AD	adjustable lifter V-8 1948-53 set of 16	275.00 set

**Valve Guides**

8BA-6510	valve guides V-8 1948-53	6.00 ea.
40-6512	valve guide keeper V-8 1948-53	1.50 ea.

**Valve Springs**

78-6513	valve springs V-8 1948-50	3.00 ea.
1BA-6513	valve springs V-8 1951-53	3.50 ea.
B6A-6513	valve springs 6 cyl 1952-59 V-8 239,272,292,312 1954-59	1.00 ea.

**Valve Retainers**

8BA-6514	valve spring retainer V-8 1948-53	2.50 ea.
7HA-6518-SPR	valve keeper V-8 one pair per valve 1948-53	1.00 pr.

**Push Rods**

EAA-6565-C	6 cylinder 9 43/64" long 1952-64, 8 cylinder 1952-55	4.00 ea.
------------	--	----------

**Valve Guide Seal**

8BA-6571	intake valve guide seal V-8 1948-53	.80 ea.
----------	-------------------------------------	---------

**Valve Guide Bar**

VG-BAR-6510	special tool bar to remove valve guide 1932-53 V-8	60.00 ea.
-------------	--	-----------

**Oil Pump Assemblies (less pickup tube)**

8BA-6621	oil pump assembly new V-8 1948-53	155.00 ea.
C0AE-6600-D	oil pump assembly new V-8 239, 256 1955-64	65.00 ea.

**Oil Pump Pickup Tube and Screen**

68-6623	oil pump pickup tube screen V-8 1948-64	25.00 ea.
8RT-6615	oil pump pickup tube V-8 1948-53	20.00 ea.

**Oil Filters**

7HA-6731	6 & 8 cylinder 1940-52	10.00 ea.
B2A-6731-A	6 & 8 cylinder 1953-66	7.50 ea.

**Oil Breather Caps**

8BA-6766	oil breather cap 6 Cyl. 1949-51 & V-8 1948-53	15.00 ea.
----------	---	-----------

**1949-53 V-8 Engine Specifications**

Bore 3.187"  
 Stroke 3.75 "  
 Firing Order 1-5-4-8-6-3-7-2  
 Oil Capacity 4 qts.  
 Crank Pin Dia. 2.138-2.1390"  
 Main Journal 2.498-2.4990"  
 Spark Plug Gap .029-.032

**Torque Limits (FT./LBS.)**

Main bearings 95-105  
 Cylinder head nuts 50-55  
 Cylinder head bolts 65-70  
 Intake manifold 23-28  
 Connecting rods 45-50  
 Spark plugs 24-30  
 Pressure plate 17-20  
 Flywheel 75-85

Most orders shipped same day !



**Finned Aluminum High Compression Cylinder Heads (Offenhauser)**

HR-1069	1949-53 Ford and Mercury engines	600.00 pr.
---------	----------------------------------	------------

**Chrome Acorn Head Nut and Intake Nut Covers**

IN-6520-C	intake nut covers 9/16" bolt head	15.00 set/20
CN-6067-C	head nut covers 11/16" bolt head	27.50 set/50

**Fenton Cast Iron Headers**

This is the first step for improved performance. These are the traditional favorite for sweet sound, less under hood noise and longevity.

HR-7101	headers for 1933-53 v-8	300.00 pr.
---------	-------------------------	------------

**Econo Headers**

These headers are made from 16 gauge steel and are available plain or nickel plated for good looks.

HR-5245-EN	nickle plated	140.00 pr.
------------	---------------	------------

**Beehive Oil Filter**

These filters are beautiful finned aluminum with a painted body and polished lid. Cools while it filters the oil.

HR-6731-BH	firewall mounted for all flatheads	230.00 ea.
------------	------------------------------------	------------

**Beehive Filter Mounting Bracket**

HR-6731-BKP	painted bracket	12.00 ea.
HR-6731-BKC	chromed bracket	20.00 ea.

**Intake Manifolds (Offenhauser)**

HR-1075	1949-53 dual intake	250.00 ea.
HR-1077	1949-53 triple carb.	350.00 ea.
HR-1078	1949-53 four barrel carb.	275.00 ea.

**Holley Carburetor Mounting Plate for Four Barrel**

Note: Certain Holley carburetors may be too wide for the 1937-48 engines due to interference with radiator hose outlets.

HR-9750-P	mount plate for four barrel intakes	40.00 ea.
-----------	-------------------------------------	-----------

**Carburetor Linkage Assemblies**

Passenger side ball to ball for dual carburetor (no triples).

HR-1004	standard dual rod is 3.5" long	30.00 ea.
HR-1005	dual carb. rod is 7" long	30.00 ea.
HR-1006	dual carb. rod is 9" long	35.00 ea.
HR-1003	single ended rod for accelerator	25.00 ea.

**Drivers side linkage** (carburetors must have extended throttle shafts on the left side of the carburetor).

HR-2864	standard dual close carburetors	40.00 set
HR-2865	super dual wide spread carburetors	40.00 set
HR-6271	triple/progressive linkage	85.00 set
HR-2866	triple/unison linkage	50.00 set

**Small Diameter Air Cleaners for the Dual and Triple Carb. Set Up**

These air cleaners have paper filter element, chrome plated and come either louvered or plain. Fit all Stromburg and Ford carburetors with a 2 5/8" opening.

HR-9600-P	plain sides chrome	12.50 ea.
HR-9600-L	louvered sides chrome	12.50 ea.
HR-9600-F	replacement filter element	4.50 ea.

**Carburetor Air Scoops**

These scoops are polished aluminum. Scoops fit carburetors with a 2 5/8" opening. They are known as velocity stacks.

SC-9600-PA	scoop	24.00 ea.
------------	-------	-----------

**Replacement Parts**

HR-29217	chrome mallory coil	26.00 ea.
HR-29216	<b>electronic coil 12 volt only</b>	<b>36.00 ea.</b>
HR-25042	points for dual point dist. 2(req.)	8.00 ea.
HR-209	<b>distributor cap</b>	<b>10.50 ea.</b>
HR-737	wire set regular	15.00 set
HR-735	<b>wire set resistor type</b>	<b>15.00 set</b>
HR-309	rotor	4.00 ea.
HR-10400	<b>condenser</b>	<b>6.50 ea.</b>

**Oil Pump** (new short body 80#)

Less pickup tube.

8BA-6621		155.00 ea.
----------	--	------------

Most orders shipped same day !



**Iskenderian/Flathead Camshafts**

These performance cams are available in various grinds. Use the chart below for more information.

HR-217700	77B cam only for 1932-48	325.00 ea.
HR-817700	77B cam only for 1949-53	325.00 ea.
HR-811100	max 1 for 1949-53	325.00 ea.
HR-211100	max 1 for 1932-48	325.00 ea.
HR-218800	88 gr. for 1932-48	325.00 ea.
HR-818800	88 gr. for 1949-53	325.00 ea.
HR-214000	400 jr. for 1932-48	325.00 ea.
HR-814000	400 jr. for 1949-53	325.00 ea.

**Adjustable Lifters**

91A-6500-AD	1932-53 all v-8 set of 16	275.00 set
91A-6500-WRN	wrenches for the above	10.00 pr.

**Engine Accessories** (for use with super dual and triple intakes)

All items are aluminum.

HR-3494	oil filter mount spacer (to get above the fins)	18.50 ea.
HR-1081	<b>Offy. polished aluminum fuel block</b>	<b>45.00 ea.</b>
HR-3497	Offy. curved water tube for offset generator clearance on 1949-53 engines	30.00 ea.
HR-1097	<b>finned aluminum carb. block off plate</b>	<b>25.00 ea.</b>
1BA-8592-PA	polished aluminum gooseneck 1949-53	13.00 ea.
HR-3496	Offy. offset gooseneck for generator clearance 1949-53 one per engine	50.00 ea.

**Alternator Brackets**

HR-916-67908	1932-42 plain aluminum	45.00 ea.
HR-916-67907	1932-42 chrome	70.00 ea.
HR-916-67910	1946-53 plain aluminum	60.00 ea.
HR-916-67909	1946-53 chrome plated	80.00 ea.

**Generator and Fan Brackets**

The following brackets are for the super dual and triple intakes:

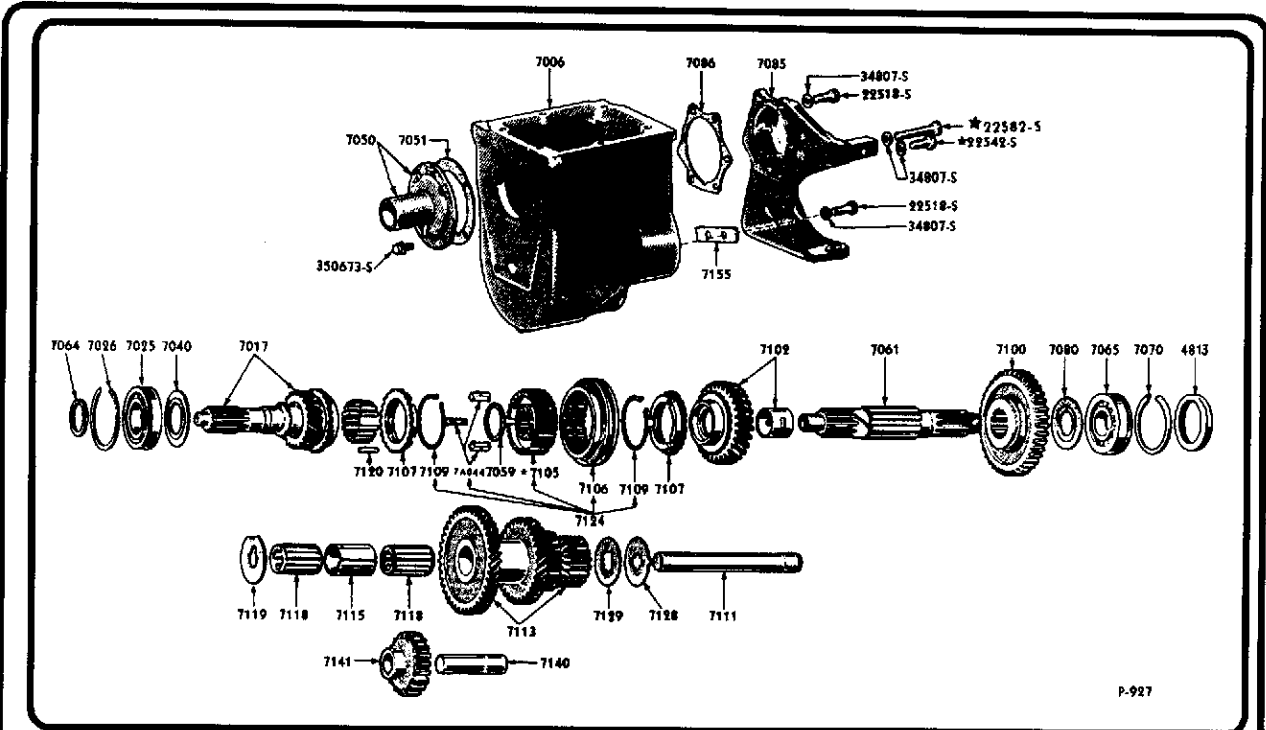
HR-1095	generator bracket (1949-53) R.H. side	55.00 ea.
HR-1096	generator bracket (1949-53) L.H. side	55.00 ea.
HR-1094	generator bracket (1938-48) R.H. side	50.00 ea.
HR-1093	generator bracket (1938-48) L.H. side	50.00 ea.
HR-3499	fan carrier bracket 1938-53	50.00 ea.

**Transmission Parts****Universal Joint**

21C-7039	front & rear 1/2 ton 1942-63	15.00 ea.
----------	------------------------------	-----------

**Rear Transmission Seal**

21C-7052	rear seal at driveshaft 1942-55 standard trans.	6.00 ea.
----------	---	----------



P-927

**Transmission Cover Seals**

7C-8112125-S	transmission cover to floor seal kit 1948-52	20.00 kit
7C-8112130	top of transmission to cover seal- floor shift only 1948-52	10.00 ea.

**Transmission Seals and Gaskets**

78-7052	transmission input shaft oil seal 3 speed 1948-52	4.50 ea.
21C-7052	transmission rear housing seal for 3 speed 1942-55	6.00 ea.
B-7153	transmission gasket set for 3 speed 1948-52	12.00 kit
8A-7153-A	transmission gasket set for 3 speed 1953-56	6.00 kit
01A-7288	side cover seals for column shift 1948-52	7.00 ea.

**Transmission Bearings (F-1)**

51A-7025	1948-56 front main ball bearing	40.00 ea.
51A-7065	1948-56 rear main ball bearing	40.00 ea.
B-7118	1948-50 short caged roller bearing 2 req.	8.00 ea.
B-7121	1948-50 long caged roller bearing 1 req.	8.00 ea.
8A-7118-S	1951-56 input shaft needle rollers	7.50 set
8A-7121-S	1951-56 cluster gear needle rollers	13.00 set

**Cluster Gear Shaft (F-1)**

B-7111	1948-50, use with caged roller bearings	9.00 ea.
8A-7111	1951-56, use with needle bearings	9.00 ea.

**Reverse Idler Gear (F-1)**

68-7141	1948-50 gear	75.00 ea.
1A-7141	1951-56 gear	65.00 ea.
B-7140	1948-56 idler gear shaft	17.50 ea.

Most orders shipped same day !



**Slider Gear ( F-1)**

01A-7100	1948-50 F-1	125.00 ea.
1A-7100	1951-56 F-1	140.00 ea.

**Synchronizer Assy. (F-1)**

8M-7124	complete assembly 1948-56	125.00 ea.
---------	---------------------------	------------

**Cluster Gear Thrust Washers (F-1)**

B-7119	thin washer with tab/brass	5.00 ea.
8M-7129	rear thick washer	9.00 ea.
8M-7128	rear thin plate	2.50 ea.

**Gear Shift Indicator Fordomatic**

BAAA-15805	shift indicator clear with silver print	15.00 ea.
------------	---	-----------

**Gear Shift Parts**

01A-7227	spring shift tube 1940-60	1.50 ea.
99A-7242-B	gear shift boot black 1940-52	35.00 ea.
01A-7246	gear shift insulator rubber for 3 speed std 1940-72	8.00 ea.
1M-7246-A	gear shift insulator rubber for automatic 1953-60	5.50 ea.
B4C-7354	gear shift lever grommet repair kit 1954-60 automatic trans.; where rod hooks to shift lever	2.00 kit
01A-7354-RK	gear shift lever grommet repair kit 1948-56 column shift; takes one kit	30.00 kit

**Gear Shift Knob**

91C-7213	gear shift knob plastic for 3 speed floor 1939-52	15.00 ea.
7C-7213	gear shift knob ball type for column shift 1948-55	6.00 ea.
B6C-7213	gear shift knob sphere shape for column shift 1956-60	6.00 ea.

**CLUTCH PARTS**

**Clutch Pedal Parts**

01T-7506	clutch pedal shaft F-1 & F-6 1942-52	22.00 ea.
TAAA-7506-A	clutch and brake pedal shaft 1953-56	37.50 ea.
7EQ-5344-A	clutch and brake pedal bracket to shaft bushing 1953-56	4.00 ea.
B-7526	clutch and brake pedal bushing F-1 to F-6 1948-52	4.00 ea.
7RT-7523	clutch pedal return spring 1948-52	5.00 ea.
TAAA-7523-A	clutch pedal return spring 1953-56	5.50 ea.

**Clutch Release Shaft Parts**

01Y-7507	clutch equalizer ball bracket F-1, 2 & 3 1948-52	25.00 ea.
01A-7510	clutch release shaft F-1 to F-6 1940-52	38.00 ea.
48-7515	clutch release shaft fork F-1, 2 & 3 1948-52	17.00 ea.
01A-7517	clutch equalizer shaft bushing 1940-52	2.50 ea.
TAAA-7521-A	clutch adjusting rod 1953-56	8.00 ea.
TAAA-7522-A	clutch release shaft fork pivot F-100 to F-600 1953-72	9.00 ea.
01A-7539	clutch release arm shaft washer rubber 1948-52	1.00 ea.
01A-7545	clutch release arm shaft spring 1948-52	2.50 ea.
8A-7996	clutch release arm to bell housing seal 1948-52	1.00 ea.

**Throwout Bearing**

78-7580	clutch release bearing 1/2 to 3/4 ton 1937-56	27.50 ea.
48-7561	clutch release bearing hub 1932-52	20.00 ea.

**Clutch Disc**

29A-7550	disc 10" 1/2 & 3/4 ton 1941-56 <b>New, no core required</b>	75.00 ea.
81T-7550	disc 11" 3/4 ton to 2 ton 1935-60 <b>Core required</b>	75.00 ea.

**Clutch Pressure Plate**

19A-7563	10" 1/2 & 3/4 ton 1941-56 <b>New, no core required</b>	125.00 ea.
51A-7563	pressure plate 11" 3/4 ton to 2 ton 1953-60 <b>Core required</b>	125.00 ea.

**Pilot Bearing**

B-7600	pilot bearing all models 1932-56	6.00 ea.
70-7600	pilot bushing	6.00 ea.

**GRILL PARTS****Lower Radiator Splash Pan to Radiator Seal**

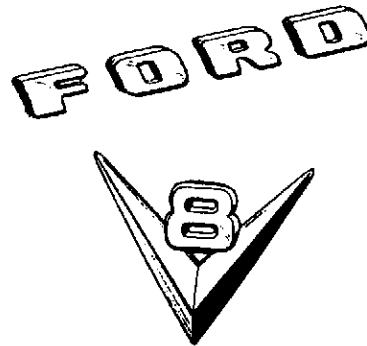
7C-8348-A	29" 1948-52 pu	4.00 ea.
B3T-8348-A	23-1/2" 1953-56 pu	6.00 ea.

**Air Deflector to Top of Radiator Seal**

B3T-8349	27-1/4" 1953-56 pu	6.00 ea.
----------	--------------------	----------

**Radiator/Grill Emblems**

7C-8315-S	Ford letters 1948-50 & 1952 pu	55.00 set
1RC-8259-A	V-8 emblem 1951	45.00 ea.
2C-16608-A	V-8 emblem 1952	50.00 ea.
BAAA-8259-A	V-8 emblem 1953	65.00 ea.
B4C-8259	V-8 emblem 1954	62.50 ea.
B5C-8259	V-8 emblem 1955	65.00 ea.
B6C-8259-A	V-8 emblem 1956	65.00 ea.
BAAA-8259-S	6 cylinder 3 point star 1953	52.50 ea.
B4C-8259-S	6 cylinder 4 point star 1954	52.50 ea.
B5C-8259-S	6 cylinder 4 point star 1955	52.50 ea.

**Lower Grill Valance Panel**

7C-8188	1948-50 pu	150.00 ea.
B3C-8188-A	1953 F-1 mounts below grill black primer finish	175.00 ea.
B4C-8188-A	1954 F-1 mounts below grill black primer finish	175.00 ea.
B6C-8188-A	1955-56 F-1 mount below grill black primer finish	250.00 ea.

**Grill Trim (stainless)**

7C-8200-GBK	5 piece set for 1948-50 F1	200.00 set
-------------	----------------------------	------------

**New Chrome Grill**

B6C-8200-B	1956 pickup	500.00 ea.
------------	-------------	------------

Most orders shipped same day !





### Grill Fittings

The following parts are just like the originals. Chrome plated.

BAAA-8164/5-B	grill teeth 1953 pu	185.00 set
B4C-8251/2-A	hash marks 1954 pu	145.00 set
B5C-8149/20-A	gull wings 1955 pu	160.00 pr.

### COOLING SYSTEM

#### Radiator Caps

91A-8100-C	radiator cap 4 lbs pressure all models 1938-51	10.00 ea.
1T-8100-A	radiator cap 4 lbs pressure all models 1952-56	10.00 ea.

#### Radiator Mount

8C-8124-A	1948-52 pickup radiator support pad	3.00 ea.
BAAA-8125-S	1953-55 mounting kit (pads and bolts)	20.00 kit
B6C-8125-S	1956 mounting kit (pads and bolts)	20.00 kit

#### Thermostats

1BA-8575-A	thermostat - V-8 160 degrees 1948-53	10.00 ea.
C2AZ-8575-A	thermostat 6 cyl. 160 degrees 1952-64 V-8 1954-67	8.00 ea.
C2AZ-8575-B	thermostat 6 cyl. 180 degrees 1952-64 V-8 1954-67	8.00 ea.

#### Fan Belts

7RA-8620	fan belt 6 cylinder 1948-52	25.00 ea.
7RA-8620-C	water pump/generator - wide type V-8 1948-52 w/Ford script	25.00 ea.
21A-8577-A	fan belt only - wide type V-8 1948-52	22.00 ea.
8BA-8577	fan and water pump belt - narrow type V-8 1953	11.00 ea.
78-8620	generator and water pump belt - wide type V-8 1948-52	21.00 ea.
8BA-8620	generator and water pump belt - narrow V-8 1953	12.00 ea.
EAT-8577-A	fan belt V-8 1954-55	30.00 ea.
EAA-8577	fan belt 6 cylinder 1953-55	15.00 ea.

#### Thermostat Gaskets and Housings

8BA-8255	gasket - V-8 1948-53	1.25 ea.
B5A-8255-A	gasket - V-8 1954-60	2.00 ea.
EAG-8255-A	gasket - 6 cylinder 1952-60	2.00 ea.
1BA-8592-A	thermostat housing - V-8 1948-53	15.00 ea.
B5C-8592-C	thermostat housing - V-8 1954-60	19.00 ea.

#### Hose Clamps

8RT-8290	upper radiator hose pipe 1948-52 V-8 F1-F6	16.00 ea.
AB-8287	upper hose clamp 1948-66 6 cylinder	.75 ea.
A-8287	lower hose clamp 1948-66 6 cylinder	1.50 ea.
8BA-8287	upper hose clamp 1948-53 V-8	1.50 ea.
AB-8287	upper hose clamp 1954-64 V-8	.75 ea.
A-8287	lower hose clamp 1948-56 V-8	1.50 ea.

#### Fan and Hub Parts

21A-8626	bearing fan spindle V-8 1942-52	23.00 ea.
21A-8632	mounting bracket - 8 cylinder 1948-52	20.00 ea.
21A-8638	gasket for fan spacer - 8 cylinder 1948-52	1.00 ea.
21A-8646	gasket for rear of fan - 8 cylinder 1942-52	1.50 ea.

**Temperature Senders**

8A-10884	single screw 1940-53	65.00 ea.
8A-10990	2 prong type 1941-53	70.00 ea.

**Water pumps and Parts**

8RT-8501	new water pump 48-53 F-1 RH	95.00 ea.
8RT-8502	new water pump 48-53 F-1 LH	95.00 ea.
A8C-8591	rebuild kit 48-53	30.00 kit
1BA-8592	1948-53 water gooseneck iron	16.50 ea.
1BA-8592-PA	polished aluminum	13.00 ea.
B0AZ-8509	water pump pulley 3/8" 1953	20.00 ea.
8RT-8509-A	water pump pulley wide 5/8" 1948-52	20.00 ea.

**Water Pump Gasket**

8BA-8507	1948-53 v-8	3.00 ea.
----------	-------------	----------

**FUEL SYSTEM****Gas Tank Caps**

11C-9030	stainless steel cap 1932-50	15.00 ea.
48-18416	locking gas tank cap with keys Ford script 1932-50	35.00 ea.
01A-18416-A	locking gas cap with keys 1951-70	35.00 ea.
C7AZ-9030-A	stainless steel cap - vented 1951-70	8.50 ea.

**Gas Tank**

BAAA-9002	1953-55 tank uses original fuel sender	275.00 ea.
-----------	--	------------

**Filler Neck Grommet**

7C-9080-A	gas tank neck grommet 1948-52	18.50 ea
7C-9080-P	gas tank neck grommet - panel only 1948-52	25.00 ea
BAAA-9080-A	gas tank neck grommet - panel only 1953-56	20.00 ea
BAAA-9080-B	gas tank neck grommet - pick up only 1953-55	30.00 ea
B6C-9080	gas tank neck grommet - exactly as original 1956	15.00 ea

**Gas Tank Sealer (alcohol proof)**

GTS-05	gas tank sealer is really good and does not come loose	27.00 qt.
TE-01	gas tank etch, etches the metal for best adhesion of sealer	12.00 ea.

**Filler Neck Hose**

78-9047	gas tank connection hose for neck F-100 1.8" I.D. 1956-72	12.00 ea.
11A-9047-A	gas tank connection hose for neck 2.18" I.D. 1942-55	7.50 ea.
B-8287	clamp for above hose - need 2 1956	1.50 ea.
11A-8287	clamp for above hose - need 2 1942-55	1.50 ea.

**Gas Tank Mounting**

21C-9299	gas tank to floor pads - anti squeak 1948-52	8.00 pr.
7C-9136-A	fuel tank outlet to floor seal 1948-52	8.00 ea.

**Gas Tank Sender**

99A-9275	fuel tank gauge with float 1948-55 6 or 12 volt	50.00 ea.
68-9276	gas tank sending unit to tank gasket 1948-56	3.00 ea.

**Gas Tank Float**

68-9275-F	gas tank float - brass 1948-60	11.00 ea.
-----------	--------------------------------	-----------

Most orders shipped same day !



**Fuel Line Grommet at Floor**

48-17265	grommet for where gas line goes thru floor pan 1956	3.00 ea.
----------	---	----------

**Oil Pressure Sending Unit #80**

41A-9278	like original 1940-53	40.00 ea.
----------	-----------------------	-----------

**Flexible Fuel Lines**

7HC-9288	6 & 8 cylinder - all 1948-50	8.50 ea.
1A-9288	6 & 8 cylinder - all 1951-53, 6 cyl. 1954-56	9.50 ea.
B5C-9288	8 cylinder 1955-56	9.00 ea.

**Fuel Pumps**

7RA-9350	V-8 1948-50	70.00 ea.
7HA-9350	6 cylinder 1948-50	72.50 ea.
9787-9350	6 cylinder 1952-54	65.00 ea.
1BA-9350	V-8 1951-53	70.00 ea.
6523-9350	V-8 1955-60 312, 272, 292	65.00 ea.
4208-9350	6 cylinder 1955-60	60.00 ea.

**Fuel Pump Parts**

59A-9364	fuel pump filter bowl to pump gasket 1948-52	.50 ea.
7RA-9417	fuel pump to stand gasket 1948-53	1.00 ea.
40-9374	fuel pump stand gasket 1948-53	1.00 ea.

**Fuel Pump Kits**

68-9398-A	fuel pump diaphragm and bowl gasket 1948-52	12.00 ea.
-----------	---	-----------

**Fuel pump Push Rod**

EAB-9400	V-8 1948-53	15.00 ea.
----------	-------------	-----------

**Fuel Pump Stand**

8BA-9416	fuel pump stand - V-8 1948-53	20.00 ea.
----------	-------------------------------	-----------

**Carburetor Repair Kits**

7HA-9590-A	6 cylinder 1948-51	18.00 ea.
59A-9590	V-8 1937-57	25.00 ea.
B2A-9590-A	6 cylinder 1952-57	37.00 ea.

**Carburetor Float**

78-9550	1938-53 V-8	15.00 ea.
---------	-------------	-----------

**Air Cleaner Decals**

DF-143	air cleaner decal - oil bath 1948-53	4.00 ea.
--------	--------------------------------------	----------

**Choke and Throttle**

7C-9700-U	choke and throttle cable with NO knob - universal 1948-Up	18.00 ea.
B2A-9800	carburetor dash pot 1953-56	8.00 ea.

**Gas Pedal**

7C-8112177	gas pedal rod to floor seal 1948-52	25.00 ea.
TAAA-9735-A	gas pedal 1948-56	15.00 ea.

**Linkage Swivel (gas pedal linkage)**

TAAA-9725-C	standard trans. 6 cyl. 1953-56 V-8 1954-56	37.50 ea.
-------------	--	-----------

## GENERATOR

### Generator Tag

CC-101	generator metal tag 1948-53	6.50 ea.
CC-102	generator metal tag 1954-55	6.50 ea.

### Brush Set

01A-10043	generator brush set 1940-56	4.00 set
-----------	-----------------------------	----------

### Bearings and Bushings

B-7600	generator front bearing 1940-64	6.00 ea.
78-10128	generator bushing - rear 1938-55	1.25 ea.

### Field Coils

81A-10175-A	1940-55 6 volt	60.00 ea.
B6A-10175-B	1956 12 volt	60.00 ea.

### Armature

01A-10005	1940-56 all	80.00 ea.
-----------	-------------	-----------

### Rebuilt Generators

These units are remanufactured in our shop with all new parts, not just repaired. Rebuildable core must be received with good pulley.

8BA-10000-R	1948-53 6 volt state wide or narrow pulley	225.00 ea.
8BA-10000-12	same as above except 12 volt	225.00 ea.

### Voltage Regulators

51A-10505	voltage regulator - 6 volts 1940-55	55.00 ea.
B6A-10505	voltage regulator - 12 volts 1956-64	50.00 ea.

### Voltage Regulator Tag

CC-104	voltage regulator metal tag 1948-53	6.50 ea.
--------	-------------------------------------	----------

### Instrument Cluster Bezel

B3C-10876	instrument cluster bezel - round gauges 1953-55	75.00 ea.
B6C-10876	instrument cluster bezel - round gauges 1956	75.00 ea.

## STARTER

### Rebuilt Starter (drive not included)

These units are remanufactured in our shop with all new parts not just repaired and sent out. We use high torque field coils for fast turn over. Core charge is 60.00.

18-11002	1948-53 6 volt V-8 std. transmission	225.00 exch.
18-11002-12	1948-53 12 volt V-8 std. transmission	225.00 exch.

Most orders shipped same day !



**Starter I.D. Tag**

CC-103	starter motor metal tag - FAG-11001-B 1948-55	6.50 ea.
--------	---	----------

**Starter Bushings**

B-11052	brush end bushing 1932-56	1.25 ea.
B-11135	drive end plate bushing 1932-53	1.50 ea.
1CM-11135	drive end plate bushing 1954-56	1.00 ea.

**Starter Brushes**

18-11057	brushes 1932-56	5.00 set
----------	-----------------	----------

**Field Coils**

18-11083-S	6 volt	35.00 set
B6A-11090-A	12 volt	42.00 set

**Starter Drive**

B-11350	starter drive 1932-53	35.00 ea.
C1AZ-11350-A	starter drive 6 cyl. 1952-61, V-8 1954-61	80.00 ea.
B-11375	starter drive spring 1932-53	7.50 ea.

**Starter Drive Parts**

B-11375	1948-53 drive spring	7.50 ea.
B-11377	1948-53 pointed drive screw	.70 ea.
B-11379	1948-53 special lock washer	.50 ea.
B-11382	1948-53 drive screw	.70 ea.

**Starter Solenoids**

21A-11450	starter solenoid 1937-51 plastic case	20.00 ea.
21A-11450-M	1948-51 metal case push button with FOMOCO script	25.00 ea.
01A-11450	1948-51 metal case push button with Ford script	25.00 ea.
B5A-11450	starter solenoid 1952-55 plastic case	20.00 ea.
B6A-11450	starter solenoid 1956-72	14.00 ea.

**Starter Buttons**

6A-11500	starter button assembly - chrome 1940-51	8.00 ea.
2C-11500	starter button assembly 1952-55	6.00 ea.

**Dash Knobs****Dash Knob Sets**

Sets include: headlight, wiper, cigar, glove box and ash tray when rewired.

BAAA-9270-K	1953-55 pu	20.00 set
B6C-9270-K	1956 pu	20.00 set

**Gear Shift Knobs**

91C-7213	gear shift knob for floor shift 1939-52	15.00 ea.
7C-7213	gear shift lever knob for column shift- ball shape 1948-55	6.00 ea.
B6C-7213	gear shift lever knob for column shift- sphere 1956-60	6.00 ea.

**Choke Knob**

7C-9703	choke knob 1948-50	6.50 ea.
1C-9703-A	choke knob 1951-52	6.50 ea.
BAAA-9700	choke knob 1953-56	6.00 ea.

**Throttle Knob**

7C-9778	throttle knob 1948-50	6.50 ea.
1C-9788-A	throttle knob 1951-52	6.50 ea.
BAAA-9700	throttle knob 1953-56	6.00 ea.

**Heater Knob**

7C-9700	heater blower motor, air, defrost & temp control 1948-50	6.50 ea.
1C-9700	heater blower motor, air, defrost & temp control 1951-52	6.50 ea.
BAAA-9700	defroster knob 1953-56	6.00 ea.
BAAA-9700	heater blower switch knob 1953-56	6.00 ea.
BAAA-9700	heater temperature control knob 1953-56	6.00 ea.
BAAA-9700	air pull knob - pull knob for fresh air heater 1953-56	6.00 ea.

**Headlight Switch Knob**

7C-11661	headlight switch knob with shaft 1948-50	8.50 ea.
1C-11661-A	headlight switch knob with shaft 1951-52	8.50 ea.
BAAA-11661	headlight switch knob with shaft 1953-54	8.50 ea.
B6C-11661	headlight switch knob with shaft 1955-56	8.50 ea.

**Cigar Lighter Knob**

7C-15052	cigar knob 1948-50	8.00 ea.
1C-15052-A	cigar knob 1951-52	8.00 ea.
BAAA-15052	cigar knob 1953-56	7.00 ea.
11A-15055	cigar lighter element & well assembly 6 volt 1948-55	20.00 ea.

**Wiper Knob**

1C-17513-A	wiper knob - on/off 1951-52	6.00 ea.
BAAA-17513	wiper knob 1953-56	6.00 ea.

**Ash Tray Knob**

7C-8101656	ashtray knob 1948-50	5.50 ea.
BAAA-8101656	ashtray knob 1953-56	5.50 ea.

**Glove Box Knob**

BAAA-8101656	glove box door knob 1953-56	5.50 ea.
--------------	-----------------------------	----------

**Turn Signal Knob**

1A-13305	turn signal lever knob 1948-56	6.00 ea.
----------	--------------------------------	----------

**Cowl Vent Knob**

BAAA-8102145	cowl vent knob 1953-56	6.50 ea.
--------------	------------------------	----------

Most orders shipped same day !



**Cigar Element and Well**

11A-15055	cigar lighter element & well assembly 6 volt 1948-55	20.00 ea.
B6C-15055	cigar lighter element & well assembly 12 volt 1956-66	15.00 ea.

**Door and Dash Trim Set**

BAAA-20960-81S	1953-55 4 piece set	50.00 set
----------------	---------------------	-----------

**Dash Bezels and Sets**

Chrome identification bezels around the bases of the knobs and switches.

BAAA-10852-IG	dash bezel - ignition 1953-56	8.00 ea.
BAAA-10852-C	dash bezel - choke 1953-56	8.00 ea.
BAAA-10852-T	dash bezel - throttle 1953-56	8.00 ea.
BAAA-10852-W	dash bezel - wiper 1953-56	8.00 ea.
BAAA-10852-L	dash bezel - lights 1953-56	8.00 ea.
BAAA-10852-K	dash knob bezel set 1953-55	35.00 set
B6C-10852-K	dash knob bezel set 1956	35.00 set

**IGNITION SYSTEM****Ignition Coil**

8BA-12029	6 volts 1948-55	25.00 ea.
B6A-12029	12 volt ignition coil with mustard colored top 1956-72	35.00 ea.

**Distributor Caps**

7HA-12106	cap 6 cylinder 1948-60	12.00 ea.
FAB-12106	cap 8 cylinder 1948-56	13.00 ea.

**Points**

8BA-12199	6 cylinder 1948-63, V-8 1948-53	5.00 ea.
-----------	---------------------------------	----------

**Rotor**

FAA-12200	rotor 6 cylinder 1946-60, V-8 1948-56	3.00 ea.
-----------	---------------------------------------	----------

**Condenser**

7RA-12300	condenser 6 cyl. 1948-64, V-8 1948-56	3.00 ea.
-----------	---------------------------------------	----------

**Distributor Internal Wires**

7RA-12216	primary lead - 6 & 8 cylinder 1948-60	.90 ea.
7RA-12264	ground lead 6 cyl. 1948-64, V-8 1948-56	1.25 ea.

**Ignition Resistor**

B6A-12250-C	ignition coil resistor - 6 & 8 cylinder 1956-57	14.00 ea.
-------------	---	-----------

**Vaccum Advance**

7RA-12370	6 cylinder 1947-60, 8 cylinder 1948-53	30.00 ea.
-----------	--	-----------

**Spark Plug Wires**

7HA-12259	spark plug wires 6 cylinder 1947-51	45.00 set
1A-12259-W	spark plug wire set w/waterproof ends No Script 1948-53	56.00 set
1A-12259	same as above with Ford script on plug "boot"	90.00 set
B5A-12259-D	spark plug wire set with waterproof ends 1954-64	69.00 set
8BA-12259	spark plug wires V-8 1948-53	43.00 set

**Spark Plugs**

81A-12405	6 & 8 cylinder 1940-53	2.35 ea.
B5C-12405-A	6 & 8 cylinder 1954-60	2.50 ea.

**Plug Wire Grommets**

FAA-12297-K	spark plug wire mounting grommets 1954-64	19.00 kit
FAA-12111-2K	spark plug wire mounting bracket kit 1954-64	20.00 kit

**Ignition Switches**

B5A-11572	ignition switch housing assembly 1956-60	25.00 ea.
B9A-11582	ignition cylinder assembly & keys 1953-60	10.00 ea.

**Door Locks & Ignition Switch Cylinder with Matched Keys**

Lock and start with the same key.

BAAA-7022050-S	1953-60 Ford pick up	50.00 set
----------------	----------------------	-----------

**Key Blanks**

1A-3685-A	ignition key blank - exactly as original 1948-52	4.50 ea.
BA-3685-A	ignition key blank - exactly as original 1953-64	4.50 ea.

**HEADLIGHT PARTS****Headlight Switches & Nuts**

FAA-11654	headlight switch - 6 volt - no knob 1951-54	75.00 ea.
11A-11652	headlight switch - 6 volt - no knob 1948-50	40.00 ea.
FAB-11662-A	light switch to instrument panel nut 1953-54	6.50 ea.
C2TZ-11650-A	light switch to instrument panel nut 1955-62	7.00 ea.

**Headlight Dimmer Switch**

A8AZ-13A024	1948-56 pickup	25.00 ea.
-------------	----------------	-----------

**Headlight Bucket Assy.**

This bucket includes the outer bucket and inner bulb nest assy. with adjusting screw and spring. The ring that holds the bulb in is not included.

1C-13008-A	1948-55 pickup fits left and right side	75.00 ea.
------------	---	-----------

**Headlight Bulb Retaining Ring**

01A-13018	1948-56 plain steel	15.00 ea.
01A-13018-SS	stainless steel	30.00 ea.

**Headlight Bucket to Fender Gasket**

11A-13044	gasket 1942-56	8.00 pr.
-----------	----------------	----------

**Headlight Door**

FAD-13045	1948-55 stainless steel	25.00 ea.
B6C-13045	1956 stainless steel	30.00 ea.

**Headlight Bucket Springs**

11A-13031	headlight bucket springs (two per headlight) 1948-56	2.25 ea.
-----------	--	----------

Most orders shipped same day !



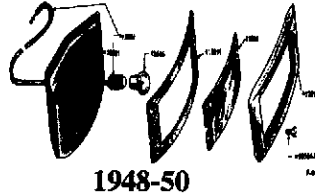


## PARKING LIGHTS

### Complete Parking Lights

These are complete assemblies including the wiring.

7RC-13200	stainless door 1948-50	30.00 ea.
1C-13200-A	<b>painted door 1951-52</b>	<b>35.00 ea.</b>
1C-13200-SS	stainless door 1951-52	40.00 ea.
FAD-13200-A	<b>painted door 1953-54</b>	<b>35.00 ea.</b>
FAD-13200-SS	stainless door 1953-54	40.00 ea.
B5C-13200-A	<b>painted door 1955</b>	<b>35.00 ea.</b>
B5C-13200-SS	stainless door 1955	40.00 ea.
B6C-13200-A	<b>painted door 1956</b>	<b>35.00 ea.</b>
B6C-13200-SS	stainless door 1956	40.00 ea.



### Parking Lamp Lenses

7RC-13208	clear 1948-50	6.50 ea.
7RC-13208-AMB	<b>amber 1948-50</b>	<b>7.50 ea.</b>
1C-13208	clear 1951-52	9.00 ea.
1C-13208-AMB	<b>amber 1951-52</b>	<b>10.00 ea.</b>
FAE-13208-AMB	amber 1953-54	12.00 ea.
B5C-13208-AMB	<b>amber 1955-56</b>	<b>12.00 ea.</b>
B5C-13208-B	clear 1955-56	10.00 ea.

### Parking Lamp Doors

1C-13210-SS	stainless 1951-52	15.00 ea.
FAE-13210-SS	stainless 1953-54	15.00 ea.
B5C-13210-SS	stainless 1955-56	15.00 ea.
B5C-13210-A	painted 1955-56	12.50 ea.
B6C-13210-SS	stainless 1956	15.00 ea.

### Parking Lamp Lens Gaskets

7RC-13211	lens gasket 1948-50	4.00 pr.
1C-13211	lens gasket 1951-52	4.00 pr.
FAE-13211-A	lens gasket 1953-54	6.00 pr.
B5C-13211	lens gasket 1955-56	6.00 pr.

## TAILLIGHTS

### Complete Taillights (wiring included)

48-13402-DR	right - painted black 1940-52	31.00 ea.
48-13403-DL	left - painted black 1940-52	31.00 ea.
01C-13402-DR	right - stainless 1940-52	30.00 ea.
01C-13403-DL	left - stainless 1940-52	30.00 ea.
BAAA-13404-SSR	1953-56 stainless right hand	35.00 ea.
BAAA-13405-SSL	1953-56 stainless left hand with license light	35.00 ea.
BAAA-13404-BR	1953-56 painted right hand	25.00 ea.
BAAA-13405-BL	1953-56 painted left hand with license light	25.00 ea.

**License Lens**

B5C-13564-B license plate light lens for shield type taillight 1955-56 4.00 ea.

**License Lens Gaskets**

40-13447 gasket 1940-54 1.20 ea.  
B5C-13447 gasket 1955-56 3.00 ea.

**Taillight Lens Gaskets**

40-13460-PR inner lens gasket & outer lens gasket 1940-52 (1 set per light) 3.00 set  
B5C-13461 lens to housing gasket 1955-56 6.00 pr.

**Taillight Lens - Plain**

40-13450 glass 1940-52 10.00 ea.  
B3C-13450-P plastic 1953-54 5.00 ea.  
B5C-13450-P plastic 1955-56 6.50 ea.  
B5C-13450-A plastic 1955-66 with Ford script 15.00 ea.

**Taillight Lens - Ford Script**

B3C-13450-FS chrome plated - Ford script 1953-54 10.00 ea.  
B5C-13450-FS chrome plated - Ford script 1955-56 15.00 ea.  
B5C-13450-BL Ford molded into lens - plastic 1955-56 12.00 ea.

**Taillight Lens - Ford Script with Blue Dot**

B3C-13450-SBD chrome plated - Ford script 1953-54 25.00 ea.  
B5C-13450-SBD chrome plated - Ford script 1955-56 30.00 ea.  
B5C-13450-FBD Ford molded into lens - plastic 1955-56 25.00 ea.

**Taillight Lens - Plain with Blue Dot**

40-13450-BD plain glass with blue dot 1940-52 15.00 ea.  
B3C-13450-PBD plain with blue dot 1953-54 16.00 ea.  
B5C-13450-PBD plain with blue dot 1955-56 25.00 ea.

Most orders shipped same day !



**License Plate Bracket**

For all except panel and style side.

B-13406-B	rear - painted black 1948-UP	16.50 ea.
B-13406-SS	polished stainless steel 1948-UP	27.50 ea.

**Panel Taillights and Parts(1948-56)**

11A-13404-DR	taillight assembly - complete right side	70.00 ea.
11A-13405-DL	taillight assembly - complete left side	70.00 ea.
11A-13420	housing to body pads - rubber w/lip	10.00 pr.
11A-13450	taillight lens - glass	10.00 ea.
11A-13450-BD	taillight lens - glass - blue dot	15.00 ea.
11A-13460	lens to housing gasket	.85 ea.
7RA-13568	rear license plate lens gasket	2.00 ea.

**Taillight Brackets**

91C-13471	RH or LH no bumper 1948-56	12.50 ea.
91C-13471-SS	same as above but polished stainless steel	16.50 ea.
81Y-13470-SS	RH side - stainless with bumper 1948-52	16.50 ea.
81Y-13471-SS	LH side - stainless with bumper 1948-52	16.50 ea.
BAAA-13470-SS	RH-LH taillight bracket 1953-56	15.00 ea.

**Stoplight Switch**

11A-13480	stoplight switch 1940-66	9.00 ea.
-----------	--------------------------	----------

**Headlight Dimmer Switch**

A8AZ-13A024	headlight dimmer switch 1948-56	25.00 ea.
-------------	---------------------------------	-----------

**Dash Light Switch**

Original toggle type switch.

40-13740	1933-51 truck	11.00 ea.
BAAA-13752	1953-56 truck	15.00 ea.

**Jewel Turn Indicator Light**

01C-13583	jewel for turn indicator light on dash 1948-52	9.50 ea.
-----------	--	----------

**Dome Light Parts**

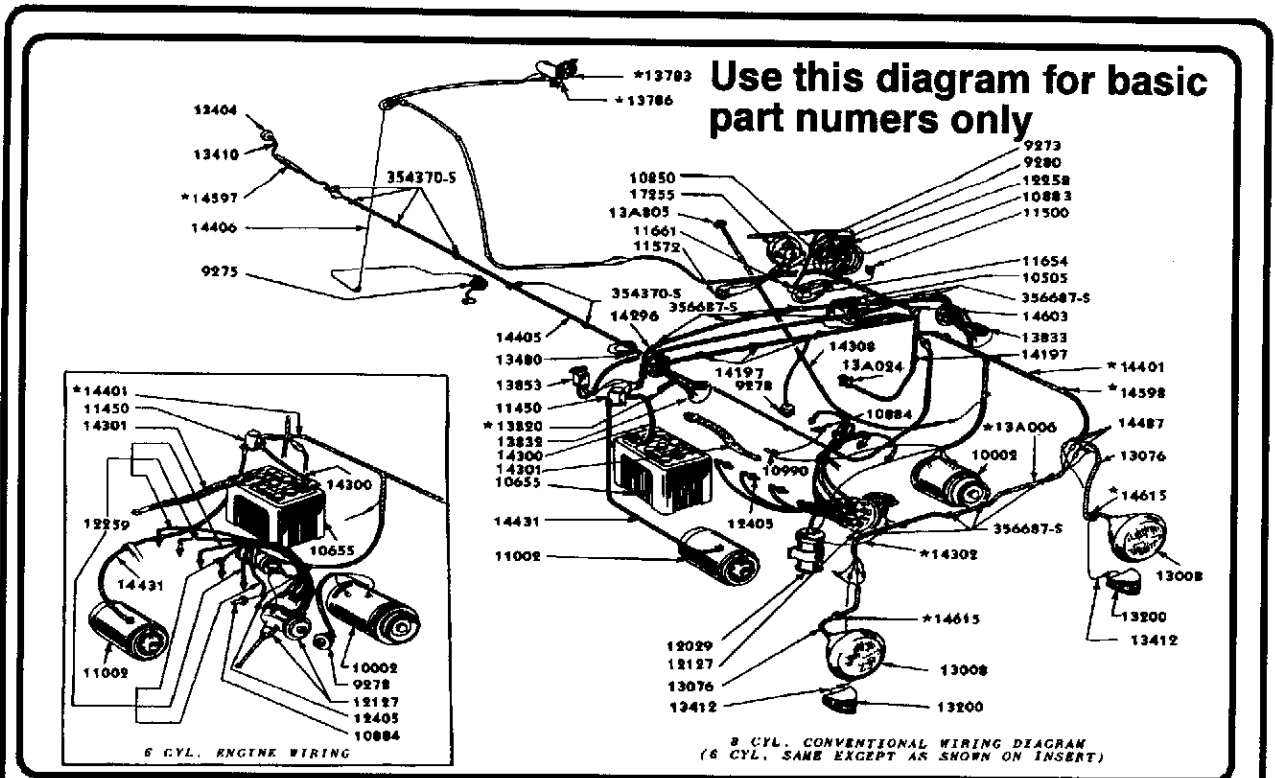
8M-13713	dome light switch on door post 1951-56	8.00 ea.
1C-13876	dome light lens gasket 1951-52	3.00 ea.
8M-13783	dome light lens 1953-56	6.00 ea.
BAAA-13786-P	dome light body less switch and socket painted 1953-56	40.00 ea.
BAAA-13786-C	dome light body less switch and socket chrome 1953-56	50.00 ea.
BAAA-13752	dome light switch, mounted to light itself as original 53-56	15.00 ea.

**Horn Relay**

FAA-13853	horn relay 1948-55	15.00 ea.
B6A-13853	horn relay 1956	20.00 ea.

**Patent Data Plate**

7C-14001	data plate for firewall with installation drive screws 1948-52	6.00 ea.
----------	--	----------



**WIRING**

**Headlight Crossover Harness**

This harness runs from headlight to headlight.

7HC-11653	1948-50 F-1	19.00 ea.
1C-11653-A	1951-52 F-1	19.50 ea.
B4C-11653-AB	1953-55 no horn or turn signals F-1	18.75 ea.
B4C-11653-A	1953-55 F-1 with turn signal and horn	26.25 ea.
B4C-11653-AC	1953-55 F-1 no turn signal, with horn	25.50 ea.
B6C-11653-A	1956 with turn signals, crimped ends F-1	25.50 ea.
B6C-11653-A-M	1956 with turn signals, molded ends F-1	47.00 ea.

**Parking Light Wiring**

7RC-13234	wire and socket - single contact 1948-50	9.00 ea.
1C-13234-A	wire and socket - single contact 1951-52	11.75 ea.
B5C-13206-R	wire and socket w/turn sig RH 1955	26.00 ea.
B5C-13206-L	wire and socket w/turn sig LH 1955	26.00 ea.

**Wiper Switch Wire**

1C-17A490-MU	1951-52 switch to motor wires	12.25 ea.
--------------	-------------------------------	-----------

Most orders shipped same day !



**Dash Wiring Harness**

This is the main harness from the dash throughout the firewall. Comes with wiring diagram.

8HC-14401-A	6 cyl ignit. switch left of light switch 1949-50	227.00 ea.
8HC-14401-C	6 cyl ignit. switch right of light switch 1948-50 most common	225.00 ea.
1HC-14401-A	6 cylinder 1951	275.00 ea.
2QC-14401-A	6 cylinder 1952	241.50 ea.
FAL-14401-A	6 cylinder 1953	214.50 ea.
FDE-14401-AA	6 cylinder 1954	254.50 ea.
B5C-14401-E	6 cyl - PVC wire 1955	332.25 ea.
B6C-14401-G	6 cyl - PVC wire 1956	361.00 ea.
8RC-14401-D	8 cylinder 1948-50	237.50 ea.
1RC-14401-A	8 cylinder 1951	236.00 ea.
2RC-14401	8 cylinder 1952	238.50 ea.
FAK-14401-A	8 cylinder 1953	226.00 ea.
FDE-14401-AB	8 cylinder 1954	221.50 ea.
B5C-14401-F	8 cyl - PVC wire 1955	300.50 ea.
B6C-14401-D	8 cyl - PVC wire 1956	213.75 ea.
B6C-14401-DM	8 cyl - PVC wire molded ends 1956	345.50 ea.

**Body Harness**

This harness runs down the frame to the L.H. taillamp.

8C-14405	F-1 1948-52	49.75 ea.
7RD-14405	F-2 1948-52	57.00 ea.
B5C-14405	braided wire 1953-55 with turn signal wires.	57.00 ea.
B5C-14405-P	F-100 PVC wire 1955 with turn signal wires	48.25 ea.
B6C-14405	F-100 PVC wire 1956 with turn signal wires	40.75 ea.
B6C-14405-M	w/turn signal F-100 molded ends 1956	62.75 ea.

**Taillight Pigtails**

40-13410	taillight wire repair kit 1948-52	6.00 ea.
01C-13410	taillight wire and socket 1948-52	8.00 ea.
FDM-13410-B	taillight pigtail with socket 1956	29.00 ea.

**Headlight Pigtails**

51C-13076-B-G	1948-50 pu with molded grommet	20.00 ea.
0A-13076-G	1951 pu with molded grommet	22.00 ea.
B5T-13076-G	1952-55 pu with molded grommet	22.00 ea.
B5T-13076-A-M	1956 pu with molded ends	24.00 ea.

**Taillight Crossover Harness**

7RC-14424	crossover wire 43" F-1 1948-52	16.75 ea.
B5C-14424-AP	crossover wire 45" PVC wire 1953-55	9.00 ea.

**Dome Light Wiring**

8C-14318	dome light wire 1948-50	6.00 ea.
1C-14318-A	dome light feed wire-100" 1951-52	28.50 ea.
B5C-14318-A	dome light feed 1953-54	25.50 ea.
B5C-14318-AP	dome light feed wire PVC wire 1955	14.75 ea.
B6C-14318	dome light feed wire - PVC wire 1956	40.00 ea.
B6C-14318-M	dome light feed wire - PVC wire molded ends 1956	46.00 ea.

**Courtesy Lamp Wire**

1C-14328-A	1951-52 pu courtesy lamp harness	24.75 ea.
FAC-14328	1953-55 courtesy lamp harness	22.25 ea.
B5C-14328-A-MU	1953-55 courtesy lamp wire left side	9.00 ea.

**Horn Wiring**

7RC-14308	horn button through steering box 1948-51 55.5" long	9.50 ea.
FAB-14308-A	horn contact wire in steering column 1948-56 72" long	10.50 ea.
2C-14308-A	horn button wire through steering box 1952 pu 85" long	11.00 ea.
68-14436-A	horn pigtail 1948-50	6.50 ea.
1C-14440-A	horn relay to horn wire - 41" 1951-52	10.50 ea.
FAF-14440-A	horn relay to horn wire 1953-54	13.50 ea.
B5C-14440-P	horn relay to horn wire 1955	12.50 ea.
1C-14672-A	horn to horn wire 1951-52 pu	13.25 ea.
B6C-14436-M	horn to horn wire, molded ends	7.50 ea.

**Heater Wires**

1C-14309-A	1951-52 heater switch wire 30" long	3.50 ea.
1C-14309-B	1951-52 heater switch wire 9.5" long	2.50 ea.

**Turn Signal Wiring**

8C-14435-A	front turn wires 1948-51 pu	25.00 ea.
1C-14492-A	original switch wire harness 51-52 pu	42.00 ea.
1C-14492-B	original switch wire harness 51-52 panel truck	73.00 ea.
FDV-14486-A	original switch wire harness 1953 pu	17.50 ea.
B4C-14404-A	turn signal flasher wires 1953-54 braided wire	52.50 ea.
B4C-14404-A-P	same as above but with PVC wire	52.50 ea.
B6C-13341-A	turn signal switch with wiring and molded ends 1956-60 pu	70.00 ea.

**Generator to Regulator Harness**

FAJ-14305-A	generator to voltage regulator wiring 6 cylinder 1953-54	12.50 ea.
FDE-14305-A	generator to voltage regulator wiring 8 cyl 1954	14.50 ea.
FDM-14305-A	generator to voltage regulator wiring V-8 PVC 1955	13.50 ea.

**Fuel Tank Feed Wire**

7RC-14406-A	fuel tank sending unit feeder wire - 110" 1948-52	8.50 ea.
7RC-14406-D	fuel tank sending unit feeder wire - 51" 1948-52	4.50 ea.

**Automatic Transmission Wires**

FDE-14476-A	Ford-O-Matic neutral safety switch wire V-8 & 6 1954	18.50 ea.
FDE-14476-AP	Ford-O-Matic neut. safety sw. wire V-8 & 6 PVC 1955	18.00 ea.

**Miscellaneous Under Hood Wiring**

7RA-14302	coil to distributor 8 cyl 1948-53	3.50 ea.
FAA-14439-A	starter solenoid to junction box wiring 1953-54	32.50 ea.
7RA-14432	temperture senders crossover wire V-8 1948-53	5.00 ea.
B6C-14382-A	o.drive wire-solenoid to relay for firewall PVC 1956	26.50 ea.
B6C-14382-A-M	molded ends same as above 1956	36.50 ea.
1C-14347-A	cigar lighter to circuit breaker wire 1951-52	10.00 ea.
FAB-14347-A	cigar lighter to circuit breaker wire 1953-54	3.50 ea.
7RC-14302-B	coil to distributor wire 52-53 6 cyl.	4.00 ea.
8RC-14322	oil sender wire 48-50	4.25 ea.
FAK-14380	oil extension wire 53-55	2.50 ea.
FAD-14303-A	engine ground wire 53-55	3.75 ea.

Most orders shipped same day !



**Wire Connectors and Clips**

59A-14487	double splice or four-way wiring connector	2.00 ea
B-14487	single female connectors, pak of 10	5.50 pak
B-14486	bullet wire ends, male connectors pak of 10	3.50 pak

**Wiring Grommets**

8C-13078-C	headlight wire grommet on left side of radiator 1948-52	4.00 ea
352873-L	vinyl covered metal grommet 1953-66 pu fits 25/32" hole	4.00 ea.
352873-S	vinyl covered metal grommet 53-66 pu fits 11/16" hole	4.00 ea.

**Firewall Grommets**

1A-14603-B	main wiring loom grommet 1948-56	4.00 ea
8A-14608	main wiring loom retainer 1948-56	10.00 ea
7C-17265	choke, throttle & speedometer cable grommet 1951-52	4.00 ea
B-14605	choke and throttle cable grommet 1948-50, 53-56	2.00 ea
8A-14605-A	electric wiper motor cable grommet 1956	2.00 ea
BAAA-17545	wiper hose grommet 1953-56	3.00 ea
1A-7001694	overdrive cable grommet 1951-59	5.00 ea.

**FENDER PARTS**

**Rear Fenders**

These are made in the original tooling. All steel. Must be shipped by truck

BAAA-16312-A	stepside rear fender RH 1953-72 F1-F350	350.00 ea.
BAAA-16313-A	same as above but LH	350.00 ea.

**Front Fenders** All steel. Must be shipped by Truck.

B6C-16005-A	1953-56 F-1 outer right side	500.00 ea.
B6C-16006-A	1953-56 F-1 Left outer side	500.00 ea.

**Inner Front Fender steel**

BAAD-16054-A	1953-56 F-1 inner right side	225.00 ea.
BAAD-16055-A	1953-56 F-1 inner left side	225.00 ea.

**Rear Fender Brace**

8C-16340	1948-50 hook end	15.00 ea.
2C-16340	1950-52 pu	15.00 ea.
BAAA-16340-A	1953-72 pu	10.00 ea.

**Fender Welt**

B-16070-B	vinyl, all years (approx. 25 feet per vehicle)	.40/foot
-----------	--	----------

**Front Fender Extentions**

8C-16040-1	1948-52 F-1	15.00 pr.
------------	-------------	-----------

**Inner Fender Apron Bumpers**

7C-16754-B	inner fender apron to frame bumper 1948-52	4.00 pr.
------------	--	----------

**Cowl to Fender Seals**

7C-16068	back of front fender to cowl seal 1948-52	15.00 pr.
BAAA-16126	back of front fender to cowl seal 1953-56	15.00 pr.
7C-16086	front fender skirt flange to radiator grille gasket 1948-50	10.00 pr.
91A-16084-S	front inner splash apron to fender bolts- set of 10 1948-52	10.00 set
7RC-16153-A	top of front fender brace to fender support - rubber 1948-52	8.00 pr.
1C-16208	front fender plate opening flange gasket 1951-52	10.00 pr.

**Rear Fender Bolts**

355471-S8	special steel bolt to fasten rear fenders to bed side 1948-72	1.00 ea.
355471-SET	bolts are same as above (set of 24) 1948-72	20.00 set
355471-SS	bed to fender bolt stainless steel	2.00 ea.
355471-SSK	bed to fender bolt (set of 24) stainless steel	40.00 kit

**RUNNING BOARDS****Running Boards**

These are all steel boards just like the originals.

7C-16450-PR	1948-52 ribbed as originals	575.00 pr.
7C-16450-PRS	same as above but smooth no ribs	500.00 pr.
BAAA-16450-PR	1953-56 ribbed as originals	425.00 pr.
BAAA-16450-PRS	same as above but smooth no ribs	525.00 pr.

**Running Board Step Plates**

These plates are cast aluminum with the Ford truck emblem in the center.

8C-16400-S	50.00 pr.
------------	-----------

**Running Board Bolts**

7C-16455-S	running board bolt kit 1948-52	10.00 kit
BAAA-16455-S	running board bolt kit 1953-56	10.00 kit
24367	fine threaded carriage bolts 7/8" long	.50 ea.

**Running Board to Fender Spacer**

BAAA-16460-S	back of front fender to running board rubber spacer 1953-56	3.00 pr.
--------------	---	----------

**Bottom of Cab to Running Board Seals**

BAAA-16540-A	pick-up only 1953-55	20.00 pr.
B6C-16540	pick-up only 1956	15.00 pr.
7C-8227838-PR	running board to rear quarter panel rubber 1948-52 panel truck	57.50 pr.

**HOOD PARTS****Emblems**

91A-16606	Ford Script-chrome plated with installing clips	10.00 ea.
BAAA-16721	hood emblems - die cast - chrome plated 1953-54 F-1	50.00 pr.
B5C-16721-PR	hood emblems - die cast - chrome plated 1955 F-1	75.00 pr.
8C-16605	side of cab emblem - die cast - chrome plated F-1 1948-50	32.00 ea.
1C-16732-B	1951 hood side ends chrome plated	55.00 ea.
2C-16608-A	radiator V-8 emblem for hood 1952	50.00 ea.
B6C-16720-1	hood side emblems 1956	120.00 pr.
B5C-8125622-PR	door emblems Custom Cab 1955-56	37.50 pr.
BAAA-16637-A	hood emblem 1953-56	50.00 ea.
BAAA-16638-S	hood emblem pad 1953-56	3.00 ea.
BAAA-16782-3	1953-54 F-100 hood side. This set has the horseshoe spear around FORD F-100. SET OF 4.	175.00 set

**FORD F100**  
1955



Most orders shipped same day !





**Hood Bumpers**

7C-16761	hood bumper kit 1948-52	8.00 kit
BAAA-16761	hood bumper kit 1953-56	8.00 kit

**Hood to Cowl Lacing**

21C-16740	cowl lacing kit 49" long 1942-56	17.50 ea.
-----------	----------------------------------	-----------

**Hood to Radiator Shroud Seal**

8C-16614	radiator shroud to hood seal 1948-52	5.00 ea.
7C-16614	hood to air deflector seal 36 1/2" long 1948-52	5.00 ea.
BAAA-16770-A	hood front to top of radiator seal 1953-56	5.50 ea.
BAAA-16771	hood front to top of radiator seal metal retainer 1953-56	4.00 ea.

**Front Hood Latch Panel**

This is the sheet metal panel that the hood latch attaches too.

B5C-16717-A	1953-56 F-1	200.00 ea.
-------------	-------------	------------

**Hood Hinge Bolts**

8A-16798-S	hood hinge bolt only 1953-55	3.00 ea.
B6C-16798-S	hood hinge bolt only 1956	2.50 ea.

**Hood Hinge Spring**

BF-16812-A	hood hinge spring 1953-56	33.00 ea.
------------	---------------------------	-----------

**Hood Latch**

B5C-16700	1953-56 pu	35.00 ea.
-----------	------------	-----------

**Hood Latch and Spring**

B5C-16700	hood latch assembly 1953-56	35.00 ea.
BAAA-16921-A	hood latch return spring 1953-54	1.00 ea.

**Hood Safety Catch**

BAAA-16892	1953-56 pu painted	20.00 ea.
BAAA-16892-SS	1953-56 stainless	30.00 ea.

**Hood Trim**

7C-16720-S	side of hood stainless moldings set of 4 no fasteners 1948-50	90.00 set
1C-16732-B	hood side ends or points for hood side - stainless 1951	55.00 ea.

**SPEEDOMETER****Speedometer and Lens**

These are nos units.

1C-17255-A	1951-52 F-100 to F-800	150.00 ea.
1A-10880	1951 speedometer lens, plastic with gold center	45.00 ea.

**Speedometer Cable and Housing**

8C-17260-A	complete assy. all 3 speeds, 1948-52, 4 speed 1948-56	25.00 ea.
A9A-17260	3 speed - automatic & overdrive 1953-60	20.00 ea.
7C-17265	cable grommet where it goes through floor board 1948-50	4.00 ea.

**Speedometer to Dash Seal**

B6C-17310-S	speedometer to dash seal - rubber 1956	5.00 ea.
-------------	--	----------

## MIRRORS

### Outside Door Mirror

BAAA-17696	outside- original accessory complete FoMoCo script 1955-66	65.00 ea.
48-18403	door hinge mirror assembly, pin included 1948-52	45.00 ea.
48-18403-C	mirror head stainless for hinge mirror 1940-52	30.00 ea.
8C-18402-A	hinge mirror with extendable arm, extends an additional 10 inches. this was an optional mirror. painted black RH	75.00 ea.
8C-18403-A	same as above except LH	75.00 ea.
BAAA-17699-S	mirror arm to door grommet 1953-66	3.00 ea.
BAAA-17727-A	mirror arm in door 1953-55	15.00 ea.
B6C-17727-A	mirror arm in door 1956-66	13.00 ea.



1955-66

### Inside Rear View Mirror

BAAA-17690	chrome plated mirror with arm and install brkt 1953-55	45.00 ea.
BAAA-17700-B	when you have overhead radio speaker 1956	50.00 ea.
B6C-17690	chrome plated mirror with arm and install brkt 1956	45.00 ea.

## WIPERS

### Electric Wiper Motors (12 volt)

7C-17508	complete with wiring, switch, towers and mounting brkt 1948-50	290.00 ea.
1C-17508	complete with wiring, switch, and mounting brkt 1951-52	150.00 ea.
BAAA-17508	complete with wiring, switch and mounting brkt 1953-55	150.00 ea.
B6C-17508-RR	complete with wiring, switch and mounting brkt 1956-60	150.00 ea.
1C-17508-HD6	complete with wiring, switch and mounting brkt 1951-52 6 volt	175.00 ea.
7C-17508-HD6	complete with wiring, switch and mounting brkt 1948-50 6 volt	175.00 ea.
1C-17508-HD12	complete with wiring, switch and mounting brkt 1951-52 12 volt	150.00 ea.
7C-17508-HS12	complete with wiring, switch and mounting brkt 1948-50 12 volt	150.00 ea.

### Wiper Arms

7C-17527	stainless RH or LH - exactly as original 1948-52	16.00 ea.
B6C-17527	stainless RH or LH - exactly as original 1953-55	15.00 ea.
B6C-17526	stainless RH side - exactly as original 1956	15.00 ea.
B6C-17527	stainless LH side - exactly as original 1956	15.00 ea.

### Wiper Blades

A8C-17528-A	stainless - original 1948-52	15.00 ea.
B6C-17528	stainless - exactly as original 1953-56	15.00 ea.

### Wiper Towers

7C-17566-A	wiper pivot assembly - right 1951-52	30.00 ea.
7C-17567-A	wiper pivot assembly - left 1951-52	30.00 ea.
BAAA-17566	wiper pivot assembly 1953-55	30.00 ea.
B6C-17566	wiper pivot assembly 1956	30.00 ea.

### Wiper Tower Bezel

7C-17515	bezel or spacer - chrome plated 1948-52	13.00 ea.
BAAA-17515-A	bezel or spacer - chrome plated 1953-60	7.50 ea.
356094-S	wiper pivot shaft nut - chrome plated 1948-60	5.00 ea.
356095-S	wiper pivot shaft nut - chrome plated 1956	5.00 ea.

Most orders shipped same day !



**Wiper Tower to Body Gasket**

7C-17541	gasket 1948-52	3.00 pr.
BAAA-17541-A	gasket 1953-60	3.00 pr.

**Wiper Motor Switch Parts**

8A-14605-A	electric wiper motor cable grommet 1956	2.00 ea.
8C-17470	electric wiper motor on/off switch - 2 speed 1951-52	18.00 ea.
7C-17512-B	electric wiper switch nut - chrome 1951-52	5.50 ea.
B6C-17470-A	electric wiper motor on/off switch - 2 speed 1953-56	30.00 ea.
B7C-17512-A	wiper switch to dash nut 1953-60	10.00 ea.
1C-17513-A	wiper on/off knob - black 1948-52	6.00 ea.
BAAA-17513	wiper on/off knob 1953-56	6.00 ea.

**Misc. Wiper Parts**

06H-17531	wiper arm clip - goes under dash to motor 1948-56	1.00 ea.
BAAA-17542-A	wiper motor clevis - comes with electric motor 1953-55	10.00 ea.
B6Q-17542-A	wiper motor clevis - use when changing from 1956-60 vacuum to electric motor - comes with electric motor	20.00 ea.
BAAA-17545	wiper hose grommet 1953-55	3.00 ea.
51A-17562	wiper arm to motor grommet 1948-55	2.00 ea.

**BUMPERS**

**Front Bumpers**

The 7C bumper is correct for 1948-50 and will fit 1951-52.

7C-17750-A	cold rolled steel with brackets 1948-52	150.00 ea.
7C-17750-SS	polished ss with brackets 1948-52	335.00 ea.
TAAA-17750-B	cold rolled steel with brkts 1953-56	150.00 ea.
TAAA-17750-SS	polished stainless with brkts 1953-56	325.00 ea.

**Rear Bumper**

BBAA-17906-A	cold rolled steel 1948-56	125.00 ea.
BBAA-17906-SS	polished stainless steel with bolts 1948-56	325.00 ea.

**Rear Bumper Brackets**

B5C-17787-A	RH outer or LH inner 1948-56	35.00 ea.
B5C-17788-A	RH inner or LH outer 1948-56	35.00 ea.

**Bumper Bolts**

BB-17758	rear bumper bolt with stainless steel cap & molded rubber pad 1948-56	4.00 ea.
----------	---	----------

**Rear Roll Pan.**

BAAA-8140320-A	plain 1953-56	90.00 ea.
BAAA-8140320-B	with license plate recess 1953-56	225.00 ea.
BAAA-8140320-C	rear roll pan with taillights, NO lic. plate recess 1953-56	140.00 ea.
BAAA-8140320-D	rear roll pan with license plate recess and taillight 1953-56	375.00 ea.

## SHOCK ABSORBERS

### Front Shocks

A8C-18124-A	F-1, 2, & 3 1948-52	25.00 ea.
7RC-18125-A	F-100, 250, & 300 1953-55	26.00 ea.
B6C-18124	1956	30.00 ea.

### Rear Shocks

7RC-18125-A	F-1, 2, & 3 1948-55	26.00 ea.
B6C-18125	1956	32.00 ea.

### Shock Bushings

51A-18197	front and rear rubber bushings - 4 per shock	1948-56	2.00 ea.
-----------	--	---------	----------

## RADIO

### Antenna Assembly

6A-18813	top of cowl antenna assembly- exactly as original	1948-52	70.00 ea.
BAAA-18813-A	top of cowl antenna assembly- exactly as orig.	1953-55	70.00 ea.
B6C-18813-B	top of cowl antenna assembly	1956	70.00 ea.

### Radio Speaker Grille

7C-8104352	beige - plastic - screws included	1948-50	20.00 ea.
7C-8104352-CC	beige - chrome plated - screws included	1948-50	35.00 ea.

### Radio Hole Cover

Complete with brackets to hold cover to dash.

7C-8104371	beige - plastic	1948-50	15.00 ea.
7C-8104371-CC	beige - chrome plated	1948-50	30.00 ea.

## HEATER PARTS

### Heater Switch

8C-18578-A	heater switch assembly	1948-50	20.00 ea.
1C-18578	heater switch assembly	1951-55	25.00 ea.
1A-18578-A	heater switch assembly - 2 speed	1956	30.00 ea.

### Heater Knobs

7C-9700	knob for cable	1948-50	6.50 ea.
1C-9700	knob for cable	1951-52	6.50 ea.
BAAA-9700	knob for cable	1953-56	6.00 ea.

Most orders shipped same day !



**Heater Seals**

BAAA-18565-S	recirculating heater seal kit: 2 core to housing seals and 1 motor to firewall seal	1953-56	15.00 kit
8C-18595	heater tube to firewall seal -need two per truck	1948-52	1.00 ea.

**Heater Hose Clamp**

BPA-18572	heater hose clamp	ALL	1.00 ea.
-----------	-------------------	-----	----------

**Heater Cable**

7C-9700-U	heater cable replacement	ALL	18.00 ea.
-----------	--------------------------	-----	-----------

**Heater Cables and Brackets**

BAAA-18518-F	fresh air heater cable	1953-55	65.00 ea.
BAAA-18518-R	reciprocating heater cable	1953-55	30.00 ea.
B6C-18518-F	fresh air heater cable	1956	65.00 ea.
B6C-18518-R	reciprocating heater cable	1956	30.00 ea.
BAAA-18597-FH	fresh air heater cable bracket	1953-56	35.00 ea.
BAAA-18597-RH	reciprocating heater cable brackct	1953-56	35.00 ea.

**Defroster Hose**

91A-18554	defroster hose - 1 3/4" I.D.	8.00 ft.
FAB-18556-D	defroster hose - 2" I.D.	9.00 ft.
B5A-18556-C	defroster hose - 2 1/2" I.D.	8.50 ft.

**FIREWALL PARTS**

**ABS Firewall Covers**

New tough ABS plastic firewall covers with insulation attached. Molded to fit the original firewall with holes pre-cut.

7C-8101670-ABS	1948-52	200.00 ea.
BAAA-810670-ABS	1953-55	200.00 ea.
B6C-810670-ABS	1956	200.00 ea.

**COWL PARTS**

**Cowl Vent Gasket**

7C-8102330-A	gasket	1948-52	10.00 ea.
BAAA-8102330-A	gasket	1953-56	10.00 ea.

**Underdash Cowl Kick Panels**

7C-8102340-RD	red	1948-52	20.00 pr.
7C-8102340-BL	black	1948-52	25.00 pr.
7C-8102340-BR	brown	1948-52	25.00 pr.
7C-8102340-GR	grey	1948-52	25.00 pr.
BAAA-8102340	grey	1953-55	25.00 pr.
B6C-8102340-PR	grey	1956	25.00 pr.
7C-8102342	set of 6 clips to install kick panel	1948-52	3.00 set

## WINDSHIELD

### Windshield Seals

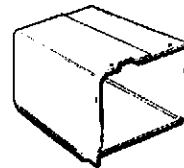
7C-8103116-A	no chrome 1948-52	40.00 ea.
1C-8103110	with groove for chrome 1951-52	40.00 ea.
BAAA-8103110-A	1953-55	40.00 ea.
B6C-8103110-A	no chrome 1956	40.00 ea.
B6C-8103110-B	with groove for chrome 1956	40.00 ea.

## GLOVE BOX

### Glove Box Assembly

All glove box liners come with installation screws and clips.

7C-8106010	liner assembly 1948-52	25.00 ea.
BAAA-8106010	liner assembly 1953-55	25.00 ea.
B6C-8106010	liner assembly 1956	25.00 ea.



### Glove Box Door Parts

1A-7006066	glove box door bumpers 1948-52	3.00 pr.
0A-16378	glove box door bumpers 1953-60	3.00 pr.
7C-8106068	glove box door spring 1948-52	8.00 ea.

## FLOOR PARTS

### Master Cylinder Cover Plate

91A-7011136	cover plate 1948-52	7.50 ea.
BAAA-8111136	cover plate 1953-56	15.00 ea.

### Transmission Cover to Floor Seal

7C-8112125-S	cork and rubber - three pieces 1948-52	20.00 kit
7C-8112130	floor shift only 1948-52	10.00 ea.
7C-8112108-C	1948-52 metal transmission floor cover	120.00 ea.

### Accelerator Pedal Rod Seals

7C-8112177	accelerator pedal rod to floor seal 1948-52	25.00 ea.
------------	---	-----------

### Floor Mats

7C-811300	front floor mat 1948-52	100.00 ea.
BAAA-8113000	front floor mat - exactly as original 1953-56	100.00 ea.

**Floor pans on page 48**

Most orders shipped same day !



## SUNVISORS

### Sunvisor

7C-8104104-GR	grey 1948-52	25.00 ea.
7C-8104104-R	red 1948-52	20.00 ea.
7C-8104104-BL	black 1948-52	25.00 ea.
7C-8104104-BR	brown 1948-52	25.00 ea.
BAAA-8104104	grey 1953-55	25.00 ea.
B6C-8104104	grey 1956	25.00 ea.

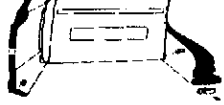
### Visor Brackets

7C-8104144-P	1948-52 painted brown	18.00 ea.
7C-81044144-C	1948-52 chrome plated	30.00 ea.
BAAA-8104144-P	1953-55 painted grey	17.50 ea.
BAAA-8104144-C	1953-55 chrome plated	30.00 ea.
B6C-8104144-P	1956 painted grey	17.50 ea.
B6C-8104144-C	1956 chrome plated	30.00 ea.

## DOOR PARTS

### Door Seals

Door seal kits are all premolded just like the originals.

8C-8120530-PR	1948-52 pickup and panel truck	60.00 pr.	
BAAA-8120530-PR	1953-55	60.00 pr.	
B6C-8120530-PR	1956	70.00 pr.	
91C-8120706	bottom of door seal - goes on body 1932-52	10.00 pr.	

### Weather Strip Adhesive

80050	contact adhesive for rubber seal	6.00 tube
-------	----------------------------------	-----------

### Door and Dash Stainless Trim

B6C-8120910-PR	stainless steel trim for outside door around window opening - comes with install clips - Custom Cab 1956	125.00 pr.
B6C-8120915-S	clips to install door- stainless - not exact of orig. 1956	5.00 set
BAAA-8120960-S	dash and door stainless trim w/install clips 1953-55	55.00 set

### Complete Window Anti-Rattler Kit

These kits have all the felt parts needed for two doors. Excellent kits.

7C-8121460-CA	set for both doors 1948-52	135.00 kit
BAAA-8121460-CA	set for both doors 1953-55	170.00 kit
B6C-8121460-CA	set for both doors 1956	160.00 kit

### Vent Window Seals


7C-8121448-PR	vent window rubber seal 1948-52	70.00 pr.
BAAA-8121448-PR	vent window rubbers 1953-55	70.00 pr.
B6C-8121448-PR	vent window seal 1956	70.00 pr.

### Back Edge of Vent Window Seal

These are the small strips that the back edge of the glass seals against. (not included with the main seals). Attatching parts included.

7C-8121450-PR	back edge of vent window seal 1948-52	17.50 pr.
BAAA-8121450-PR	back edge of vent window seal 1953-55	17.50 pr.
B6C-8121450-PR	back edge of vent window seal 1956	20.00 pr.



**Vent Window Handles**

78-7022916	vent window handle - right side 1948-50		30.00 ea
78-7022917	vent window handle - left side 1948-50		30.00 ea
8M-7022916	vent window handle - right side 1951-52		30.00 ea
8M-7022917	vent window handle - left side 1951-52		30.00 ea
8A-7022920-S	vent window handle button kit for one handle 1951-60		5.00 kit
BAAA-8122916	vent window handle - right side 1953-55		30.00 ea
BAAA-8122917	vent window handle - left side 1953-55		30.00 ea
A9AZ-7022916-A	vent window handle with button - right side 1956-60		30.00 ea
A9AZ-7022917-A	vent window handle with button - left side 1956-60		30.00 ea

**Door Glass Track**

7C-8121462-A	1948-52 LH or RH		20.00 ea.
--------------	------------------	--	-----------

**Vent Window Handle Brackets**

01A-7022938	bracket and handle shaft assy 1948-55		15.00 ea
8A-7022938-B	handle shaft - right 1956-60		15.00 ea
8A-7022939-B	handle shaft - left 1956-60		15.00 ea

**Vent Window Pivots**

BAAA-8121466-A	upper vent window pivot female - right 1953-55		14.00 ea
BAAA-8121467-A	upper vent window pivot male - left 1953-55		14.00 ea
BAAA-8121408-R	lower vent window frame pivot 1953-55 rh		45.00 ea
BAAA-8121408-L	lower vent window frame pivot 1953-55 lh		45.00 ea

**Outside Door Handles**

The handles are all reproduced exactly as original and are triple chrome plated.

7C-8122400-A	right 1948-52		40.00 ea
7C-8122401-A	left 1948-52		40.00 ea
B5C-8122400-A	right side with push button 1953-56		75.00 ea
B5C-8122401-A	left side with push button 1953-56		75.00 ea
BAAA-8122400-B	right side without push button 1953-60		40.00 ea.
BAAA-8122401-B	left side without push button 1953-60		40.00 ea.
BAAA-702350/1	complete handle set with buttons & pads 1953-56		100.00 pr.
BAAA-22454-81A	handle button 1953-56 pu		12.50 ea.

**Outside Handle Pads**

7C-8122428	2 pieces 1948-52		4.00 pr.
BAAA-8122428	4 pieces 1953-60		6.00 pr.
BAAA-22406-81	outside handle stainless shields 1953-56		20.00 pr.

**Window Regulators**

These are complete new assemblies

7C-702700	1948-52 truck right hand		75.00 ea.
7C-702701	1948-52 truck left hand		75.00 ea.
BAAA-8123200-A	1953-55 right hand		100.00 ea.
BAAA-8123201-A	1953-55 left hand		100.00 ea.
B6C-702700	1956 truck right		75.00 ea.
B6C-702701	1956 truck left		75.00 ea.
BAAA-702701	1953-55 left hand		85.00 ea.
BAAA-702700	1953-55 right hand		85.00 ea.

Most orders shipped same day !



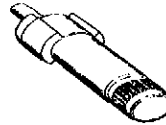


**Inside Window Cranks**

7C-8123342	triple chrome plated 1948-52	15.00 ea.
B5C-8123342	handle - with clip- inside 1953-55	15.00 ea.
B6C-8123342	handle - inside 1956	15.00 ea.

**Window Crank Knobs**

7C-8123341-S	window crank knob with pin 1948-52	6.50 ea.
BAAA-8123341	window crank knob with pin - black 1953-56	6.50 ea.

**Window Crank Shaft Repair Kit**

7C-8123205-S	window crank shaft repair kit 1948-52	25.00 ea.
BAAA-8121818-RK	door handle shaft repair kit 1953-56	40.00 ea.
BAAA-8121818	door open handle shaft and arm assembly 1953-56	15.00 ea.

**Window Regulator Shaft Repair Kit**

BAAA-8123205-S	window regulator shaft repair kit 1953-55	20.00 ea.
B6C-8123205-S	window regulator shaft repair kit 1956-60	20.00 ea.

**Door Glass Lift Channel**

This is the track that the door glass mounts in to.

7C-8121462-A	1948-52 pu glass track, fits left or right side	20.00 ea.
B5C -8121458-A	1953-55 fits right or left side	20.00 ea.
B6C-8121458-A	1956 right side	20.00 ea.
B6C-8121459-A	1956 left side	20.00 ea.

**Inside Door Handles**

7C-8122614	triple chrome plated 1948-52	13.00 ea.
B5C-8122600-A	handle - with clip 1953-55	13.00 ea.
B6C-8122600	1956	13.00 ea.

**Door Handle Clip**

357550-S	door handle and wind crank installation clip 1953-55	.60 ea.
----------	--	---------

**Escutcheons for Inside Door Handles**

7C-8122618	escutcheons 1948-52	9.00 ea.
BAAA-8122618	escutcheons 1953-55	8.00 ea.
B6C-8122618	escutcheons 1956	6.00 ea.

**Door Bumpers**

A-46440	door jam bumper - 2 needed per door 1948-52	3.00 ea.
---------	---	----------

**Door Hinge Pin**

HD-1167-A	steel pin 1948-52	1.00 ea.
B-46335-SS	stainless steel 1948-52	3.00 ea.

**Door Lock Assembly and Cylinder Parts**

B5A-7022023-A	door lock cylinder retainer clip 1953-56	5.00 ea.
B4C-8121971-A	door lock link spring 1953-56	10.00 ea.
BAAA-7022050-S	door and ignition lock set 1953-60 3 piece set	50.00 set
B7A-7021984-PR	door locks (pair) 1953-60	40.00 pr.

**Striker Plates and Related Parts**

81A-702340-SS	striker plate for door post 1948-52	15.00 ea.
BAAA-8122008-A	striker plate - right side 1953-55	20.00 ea.
BAAA-8122009-A	striker plate - left side 1953-55	20.00 ea.
B6C-8122008	striker plate - right side 1956	20.00 ea.
B6C-8122009	striker plate - left side 1956	20.00 ea.
B6C-8122058-A	striker plate shims 1953-56	3.00 ea.

**Door Arm Rests**

8C-8124141	(not covered) 1948-50	50.00 pr.
BAAA-8124141	(not covered) 1951-56	50.00 pr.

**Door Emblem**

B5C-8125622-PR	custom cab complete with special clips 1955-56	37.50 pr.
----------------	--	-----------

**Back of Cab Panel Hole Plug**

352285-S	cab back of panel outside lower plug - rubber 1953-56	2.00 ea.
----------	---	----------

**REAR WINDOW SEALS****Back Window Rubber**

7C-8142084-A	1948-50	22.50 ea.
1C-8142084	1951-52	25.00 ea.
BAAA-8142084	use w/o wrap-around back glass 1953-56	25.00 ea.
B6C-8142084-A	use with wrap-around base glass, groove for trim 1956	40.00 ea.
7C-8242084-P	panel rear door window rubber 1948-52	60.00 pr.
BAAA-8242084-P	panel rear door window rubber 1953-56	60.00 pr.

**HEADLINER****Roof Headliner Rubber**

BAAA-8150956	seal to hold roof headliner - 176" 1953-56	18.50 ea.
BAAA-8150960	clip to hold roof headliner - takes 16 1953-56	.50 ea.
BAAA-8150960-S	clip to hold roof headliner - set of 16 1953-56	6.00 set

**Headliner Kits**

These are sewn together as original with all the edge binding. Kits include: roof, left and right side of back window, below rear window, left and right below back window and one pair of cowl kick panels. Screws, washers and clips included. These kits fit 1948-50 perfectly. For the 1951-52, the rear window area must be cut a little larger. Headliner kits are just like the originals. Shipping estimates: central US \$50.00 and western US \$80.00.

7C-8151968-BR	brown 1948-52	175.00 ea.
7C-8151968-BL	black 1948-52	175.00 ea.
7C-8151968-RD	red 1948-52	185.00 ea.
7C-8151968-GR	gray 1948-52	175.00 ea.

**Continued on the following page**

Most orders shipped same day !



**Headliner Only**

B5C-8151968-AA	roof only - exactly as original- gray 1953-55	90.00 ea.
B6C-8151968	roof only - exactly as original - gray 1956	90.00 ea.
B5C-8251968-P	panel truck 1953-55	120.00 ea.
B6C-8251968-P	panel truck 1956	120.00 ea.
B6C-8251968-BW	roof only for large back window-gray 1956	120.00 ea.

**Cowl Kick Panels**

7C-8102340-RD	red 1948-52	20.00 pr.
7C-8102340-BL	black 1948-52	25.00 pr.
7C-8102340-BR	brown 1948-52	25.00 pr.
7C-8102340-GR	gray 1948-52	25.00 pr.
BAAA-8102340	gray 1953-55	25.00 pr.
B6C-8102340-PR	gray 1956	25.00 pr.

**Door Panels**

1C-8123890-BR	brown 1951-52	25.00 pr.
1C-8123890-BL	black 1951-52	25.00 pr.
1C-8123890-RD	red 1951-52	16.50 pr.
1C-8123890-GR	gray 1951-52	25.00 pr.
BAAA-8123890	gray 1953-55	50.00 pr.
B6C-8123890-PR	gray 1956	50.00 pr.

**Misc. Cab Trim**

BAAA-8120018	clips to hold door panels on-enough for both doors 1953-56	7.00 set
BAAA-8142414	special pieces that go below back window, behind seat on on all custom cabs 1953-56	75.00 pr.
BAAA-8140374	rear panel below window 1953-56	15.00 ea.

**Cowl and Floor Pan Rubber Plugs**

352291-S	3/4" hole plug	2.00 ea.
352284-S	1 1/4" hole plug	2.00 ea.
352285-S	1 1/2" hole plug	2.00 ea.
357216-S	1 3/4" hole plug	2.00 ea.

**Panel Trucks Only Parts****Taillight parts**

11A-13404-DR	taillight assembly - complete right side 1948-56	70.00 ea.
11A-13405-DL	taillight assembly - complete left side 1948-56	70.00 ea.
11A-13420	taillight housing to body gasket - rubber 1948-56	10.00 pr.
11A-13450	taillight lens - glass 1948-56	10.00 ea.
11A-13450-BD	taillight lens - blue dot - glass 1948-56	15.00 ea.
11A-13460	lens to housing gasket 1948-56	.85 pr.

**License Plate and Light**

7RA-13568	license plate light lens to housing gasket 1948-56	2.00 ea.
8A-13550-A	license light complete assy.	30.00 ea.
7RA-13564	license light lens glass	10.00 ea.

**Rear Door Parts**

8M-7943426	inside rear door opener handle 1948-56	10.00 ea.
HD-1167-A	rear door hinge pins 1948-56	1.00 ea.
81C-825950	panel rear door dovetail - male 1948-56	25.00 ea.
01C-8244123	panel rear door check bumper 1940-52	3.00 pr.
7C-8226600-A	rear door outside door handle - panel only 1948-56	50.00 ea.
BAAA-8222428-P	panel back door handle pad 1948-56	4.00 ea.
8C-8243722-PR	panel rear door seals-special molded corners 1948-52	85.00 pr.
BAAA-8243722-PR	panel rear door seals-special molded corners 1953-56	75.00 pr.
7C-8242084-P	back window rubber-ends bonded in endless circle 1948-52	60.00 pr.
BAAA-8242084-P	back window rubber-ends bonded in endless circle 1953-56	60.00 pr.

**Fuel Tank**

7C-9080-P	gas tank neck grommet 1948-52	25.00 ea.
BAAA-9080-A	gas tank neck grommet 1953-56	20.00 ea.

**Headliner Parts**

B5C-8251968-P	headliner for panel only 1953-55	120.00 ea.
B6C-8251968-P	headliner for panel only 1956	120.00 ea.
BAAA-8150956	seal to hold headliner 1953-56	18.50 ea.
BAAA-8150960	clip to hold seal and headliner 1953-56	.50 ea.
BAAA-8150960-S	clips to hold seal and headliner 1953-56	6.00 set

**Misc. Panel Truck Parts**

BAAA-16540-C	bottom of cab to running board seal - panel only 1953-56	25.00 pr.
7C-8227838-PR	running board to rear fender special rubber 1948-52	57.50 pr.

**LIGHT BULBS****Headlight Bulbs**

B5AF-13007	headlight bulbs - 6 volt 1948-55	12.00 ea.
B6A-13007	headlight bulbs - 12 volt 1956-57	9.00 ea.

**Parking Light Bulbs**

B-13466-63	without turn signals 1942-55	1.00 ea.
11A-13465-1154	with turn signals 1942-55	1.25 ea.
B6A-13465-1034	parking light bulbs - 12 volt 1956-62	1.50 ea.
B7A-13466-1157-A	12 volt - painted amber light bulb 1956-66	2.25 ea.

**Instrument Panel Bulb**

78-13466-55	instrument panel bulb - 6 volt 1948-55	1.50 ea.
B6A-13466-57	instrument panel bulb - 12 volt 1956-62	1.50 ea.

**High Beam Indicator Bulb**

48-15021-51	high beam indicator bulb - 6 volt 1948-51	1.50 ea.
78-13466-55	high beam indicator bulb - 12 volt 1956-66	1.50 ea.
B6A-13466-1445	high beam indicator bulb - 12 volt 1956-66	1.50 ea.

**Glove Compartment Bulb**

78-13466-55	glove compartment bulb - 6 volt 1948-55	1.50 ea.
B6A-13466-57	glove compartment bulb - 12 volt 1956-66	1.50 ea.

Most orders shipped same day !

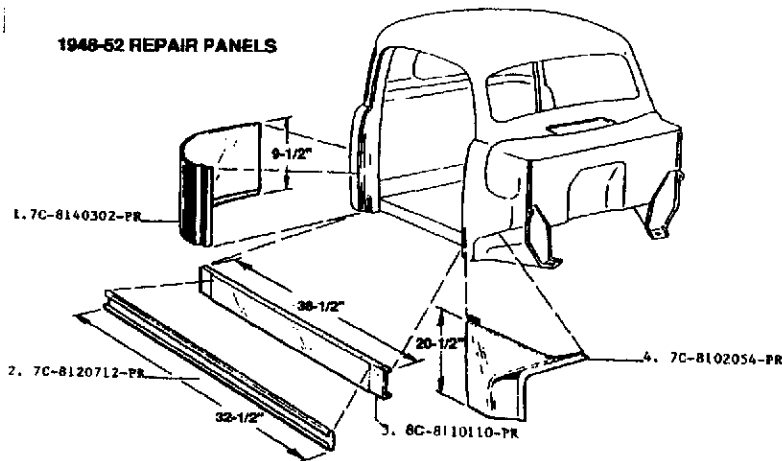


**Taillight Bulb**

11A-13465-1154	taillight bulb - 6 volt 1948-55	1.25 ea
B6A-13465-1034	taillight bulb - 12 volt 1956-62	1.50 ea

**Dome Light Bulb**

B-13466-63	dome light bulb - 6 volt 1948-55	1.00 ea
B6A-13730-1003	dome light bulb - 12 volt 1956-66	1.50 ea



**REPAIR PANELS**

**Air Deflector Behind Grille**

7C-8310	right hand 1948-50	45.00 ea.
7C-8311	left hand 1948-50	45.00 ea.
1C-8310	right hand 1951-52	45.00 ea.
1C-8311	left hand 1951-52	45.00 ea.
BAAA-8310	right hand 1953	110.00 ea.
BAAA-8311	left hand 1953	110.00 ea.
B4C-8310	right hand 1954-55	110.00 ea.
B4C-8311	left hand 1954-55	110.00 ea.
B6C-8310	right hand 1956	110.00 ea.
B6C-8311	left hand 1956	110.00 ea.

**Cowl Patch Panels**

7C-8102054	right hand 1948-52	60.00 ea.
7C-8102055	left hand 1948-52	60.00 ea.
BAAA-8102054	right hand 1953-56	50.00 ea.
BAAA-8102055	left hand 1953-56	50.00 ea.

**Floor Pans**

7C-8111106	front - right hand 1948-52	85.00 ea.
7C-8111107	front - left hand 1948-52	85.00 ea.
BAAA-8111106	front - right hand 1953-55	85.00 ea.
BAAA-8111107	front - left hand 1953-55	85.00 ea.
B6C-8111106	front - right hand 1956	85.00 ea.
B6C-8111107	front - left hand 1956	85.00 ea.

**Rocker Panel**

8C-8110110-PR	rocker panel 1948-52	42.50 pr.
BAAA-8110110-PR	rocker panel 1953-56	100.00 pr.

**Lower Door Seal Retainer**

7C-8120712-PR	does not include rubber 1948-52	8.00 pr.
BAAA-8120712-PR	does not include rubber 1953-56	8.00 pr.

**Rear Cab Corners**

7C-8140302	right hand 1948-52	45.00 ea.
7C-8140303	left hand 1948-52	45.00 ea.
BAAA-8140302-S	right hand 1953-56	50.00 ea.
BAAA-8140303-S	left hand 1953-56	50.00 ea.

**Door Pillar Replacement**

BAAA-8102042	right hand 1953-56	50.00 ea.
BAAA-8102043	left hand 1953-56	50.00 ea.

**Front Body Mounts**

BAAA-8102056	right hand 1953-56	25.00 ea.
BAAA-8102057	left hand 1953-56	25.00 ea.

**Outer Door Skins (lower patch panel)**

BAAA-8120200	right door 1953-56	70.00 ea.
BAAA-8120201	left door 1953-56	70.00 ea.

**Inner Door Bottoms**

BAAA-8120124	bottom - right door 1953-56	45.00 ea.
BAAA-8120125	bottom - left door 1953-56	45.00 ea.

**Cab Skirt Channel (for cab to board seal)**

BAAA-8110112-PR	does not include rubber 1953-55	17.50 pr.
-----------------	---------------------------------	-----------

**BOOKS****Owners Manuals**

111481	1948 truck	8.50 ea.
111491	1949 truck	8.50 ea.
111501	1950 truck	8.50 ea.
111511	1951 truck	9.00 ea.
111521	1952 truck	9.00 ea.
111531	1953 truck	9.00 ea.
111541	1954 truck	9.00 ea.
111551	1955 truck	9.00 ea.
111561	1956 truck	9.00 ea.

**Shop Manual**

SM73	1949-52 trucks	30.00 ea.
SM70	1954-55 trucks	30.00 ea.
SM71	1956 trucks	30.00 ea.

Most orders shipped same day !



**DECALS**

**Air Cleaner Decals**

DF-357	oil bath air cleaner 1948-51	3.00 ea.
DF-1124	air cleaner decal 1954-56	3.00 ea.

**Heater Decals**

DF-490	1953-56 heater decal	2.00 ea.
DF-561	1953-56 heater decal	2.00 ea.

**Valve Cover Decals**

DF-1083	1952 6 cylinder	6.00 ea.
DF-1299	1954 6 cylinder	6.00 ea.
DF-450	1955 6 cylinder	5.00 ea.
DF-642	1954 V-8 sold in pairs	10.00 pr.
DF-892	1955 V-8 sold in pairs	10.00 pr.
DF-70	1956 V-8 sold in pairs	10.00 pr.

**Misc. Decals**

DF-679	delivery sheet 1953-56	2.00 ea.
DF-686	washer bracket decal 1948-52	3.00 ea.
DF-81	automatic transmission decal 1955-56	3.50 ea.
DF-33	coil decal 1956	3.00 ea.
DF-375	oil filter decal 1952-53	10.00 ea.
DF-82	oil filter decal 1954-56	5.00 ea.
DF390	oil pressure decal 1955-56	3.00 ea.
DF-361	Ford oval decal 3 1/2"	2.00 ea.
DF-362	Ford oval decal 6 1/2"	3.00 ea.
DF-363	Ford oval decal 9 1/2"	3.50 ea.

**PICK UP BOX PARTS**

**Complete Pickup Box**

These boxes are unassembled and complete. There is a 50.00 crating fee and these must be shipped by truck. Add 275.00 for all polished stainless trim and bolts

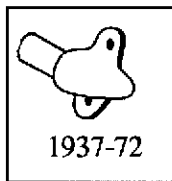
PU-007-U	1948-early 1950	2000.00 kit
PU-008-U	1951-52	1250.00 kit
PU-009-U	1953-72	1250.00 kit

**Tailgates**

PU-138	1942-50 the chain bracket is in the top roll	325.00 ea.
PU-139	1950-52 the chain bracket in below the top roll	325.00 ea.
B7C-8340700-A	1953-72	375.00 ea.

**Tailgate hinge**

PU-112	1937-72 2 required	10.00 ea.
--------	--------------------	-----------



**Tailgate Chain**

Complete chains including the bracket or stud to hook it to the box.

21C-8344456-PR	1942-50 with bracket	60.00 pr.
1C-8344456-PR	1951-52 with stud	50.00 pr.
BAAA-8344456-PR	1953-72	70.00 pr.
BAAA-8344456-SS	1953-72 stainless steel	120.00 pr

**Tailgate Chain Rubber Covers**

7C-8144450-S	rubber covers only 1948-56	10.00 pr.
--------------	----------------------------	-----------

**Tailgate Chain Rubber Bumper**

BAAA-8344458-S	1953-72	5.00 pr.
----------------	---------	----------

**Tailgate to Bed Bumpers**

BAAA-8340725-A	1953-56	3.00 pr
----------------	---------	---------

**Bed to Frame Pads**

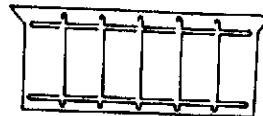
7C-8144155-S	8 pads 1948-52	7.00 kit
BAAA-8144155-S	8 pads 1953-56	7.00 kit

**Bed to Frame Bolts**

7C-8144440	counter sunk washer, plain steel, 4 req.	1.50 ea.
7C-8144440-SS	same as above but stainless steel	2.50 ea.
350620-S8	bed to frame bolt 2 req.	3.00 ea.
350623-S	bed to frame bolt these go with the washer above, 4 req.	3.50 ea.
34447-S2	self locking nuts for the above bolts	1.00 ea.

**Front Box Panel**

PU-167	1942-50	160.00 ea.
BAAA-8300124-A	1951-72	150.00 ea.

**Rear Crossmembers**

PU-152	1942-50	50.00 ea.
BAAA-8310608-A	1951-72	70.00 ea.

**Bed Crossmembers**

1C-8310610-A	1950-52 front crossmember	35.00 ea.
BAAA-8310610-A	1953-56 front crossmember	40.00 ea.
8C-8310705	1942-early 50 front middle crossmember	45.00 ea.
8C-8310706	1942-50 rear middle crossmember	45.00 ea.
BAAA-8310705	1950-72 middle crossmember	35.00 ea.

**Box Sides**

These sides are complete assemblies including: pockets and braces.

There is a 30.00 crating fee per order of box sides. These must be shipped by truck.

PU-163-L	1948-early 50 left side	400.00 ea.
PU-163-R	1948-early 50 right side	400.00 ea.
1C-8327840	1951-52 R.H.	250.00 ea.
1C-8327841	1951-52 L.H.	250.00 ea.
BAAA-8327840-A	1953-56 R.H.	250.00 ea.
BAAA-8327841-A	1953-56 L.H.	250.00 ea.

**Bed Side to Wood Rubber Seal**

7C-8144150-S		12.50 ea.
--------------	--	-----------

Most orders shipped same day !





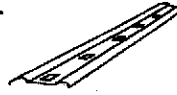
**Bed Board End Cap Strips at Rear**

8C-8110609-CR	plain steel 1948-72	15.00 ea.
8C-8110609-SS	stainless steel	35.00 ea.
8C-8110609-SSP	polished stainless steel	27.50 ea.

**Bed Strips With Square Holes Punched**

All square holes are punched, 76 3/4" long. Sold in sets of seven.

7C-8112605-CR	1948-56 plain steel	75.00 set
7C-8112605-SS	1948-56 stainless steel	175.00 set
7C-8112605-SSP	1948-56 polished stainless steel	240.00 set
7C-8112605-ESS	1948-56 bright stainless steel (single strip)	20.00 ea.
7C-8112605-ECR	1948-56 cold rolled steel (single strip)	7.00 ea.



**Bolts for the Above Strips**

These are carriage bolts with nuts and washers. 49 bolts and 21 washers.

7C-8112610-PF	plain steel 1948-56	30.00 kit
7C-8112610-SS	stainless steel 1948-56	55.00 kit
7C-8112610-SSP	polished stainless steel 1948-56	80.00 kit

**Bed Strips No Holes 76 3/4"**

7C-8112605-CRU	cold rolled steel set of seven	40.00 set
7C-8112605-SSU	stainless steel unpolished	130.00 set
7C-8112605-SSUP	stainless steel polished	220.00 set

**Bed Bolt Kit**

Use this kit when replacing the strips and the wood floor. Kits include 65 bolts, 65 nuts & washers, 21 large flat washers and 6 small flat washers.

7C-8112615-PF	plain steel 1948-56	37.50 kit
7C-8112615-SS	stainless steel 1948-56 (nuts and washers are plain steel)	72.50 kit
7C-8112615-SSP	same as above except polished stainless bolts	100.00 kit.

**Individual Bolts knurled type for non punched strips**

23503-P	steel	1.00 ea.
23503-CC	chrome	2.00 ea.

**Stake Pockets**

PU-122	1938- early 1950 front or rear	38.50 ea.
PU-209	1950-72 fronts	20.00 ea.
PU-207-L	1951-52 LH rear complete	40.00 ea.
PU-207-R	1951-52 RH rear complete	40.00 ea.
PU-208-L	1953-72 LH rear complete	40.00 ea.
PU-208-R	1953-72 RH rear complete	40.00 ea.

**PAINTS AND SPECIALS**

**Gas Tank Sealer**

Stops rust, leaks & corrosion permanently. Resistant to all fuels including the new phase II oxygenated fuels. Heavily compounded with rust inhibitors. Permanently bonds to all metal or fiberglass tanks.

The only sealer on the market approved for use in aircraft.

GTS-05	Bill Hirsch sealer	27.00 quart
--------	--------------------	-------------

**Gas Tank Etch**

Will remove light buildup of rust inside of all tanks and will etch the inside of the tank leaving a gray phosphate coating. An excellent prep for your tank before the tank sealer listed on the previous page.

TE-01 gas tank etch 12.00 pint

**Gas Preservative and Stabilizer**

Prevents gum, varnish formation and corrosion in fuel tanks and fuel systems. One ounce of this product will keep 3 gallons of fuel fresh for at least 3 years. Contains no alcohol that attacks some metals. One quart will protect 100 gallons of fuel for 3 years.

FPS-01 fuel preservative 17.00 quart

**Black Chassis Paint**

The finest black chassis paint. Not glossy, not dull but a very high quality semi-gloss paint that is the most resistant to chipping, cracking, peeling and salt.

CHPT-01 chassis black quart can 29.00 quart

**Miracle Paint**

A moisture cured non porous paint that bonds to rusted and corroded metals like no other coating. It is rock hard and will not crack, chip or peel. Impervious to gasoline, laquer thinner, salt and most acids. Can be painted directly over rusted surfaces. Is strengthened by exposure to moisture. Can be sprayed, rolled or brushed.

MIR-PINT pint can 23.00 pint

MIR-QUART quart can 33.00 quart

**High Temperature Paint**

The only finish of its type that will withstand 1800 F. Withstands salt, moisture and virtually all weather conditions.

EMPT-15 aluminun color 27.00 pint

EMPT-14 cast iron color 27.00 pint

EMPT-16 black color 28.00 pint

EMPT-03 stainless steel 1600 F 21.00 pint

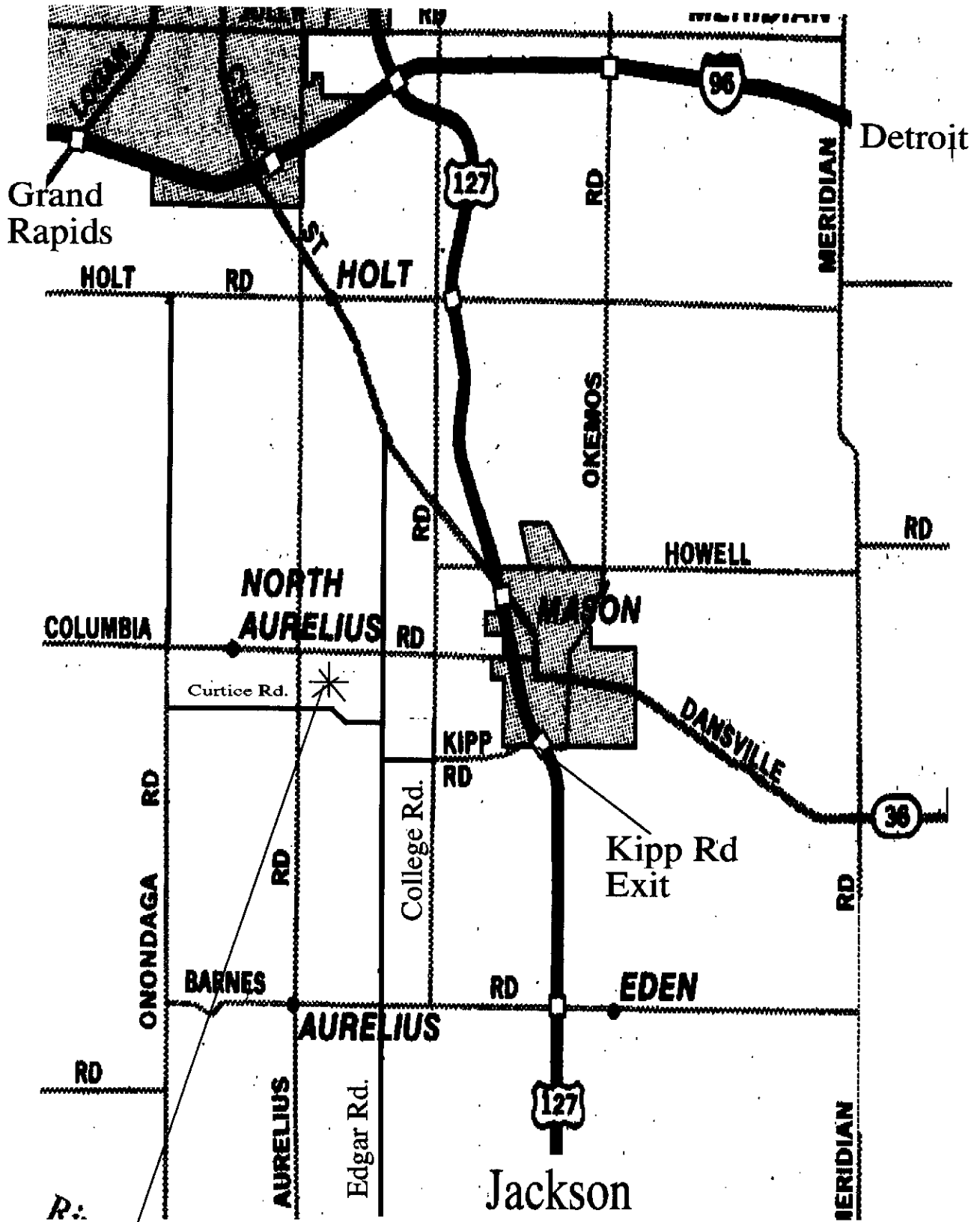
**Other Supplies**

PR-5000-A aerosal can paint stripper ready to spray and it works good 11.00 can

Most orders shipped same day !







R.:  
 Yesteryear Ford Parts  
 4322 Curtice rd.  
 Mason, MI 48854

Look for the old Sinclair  
 gas station sign at the drive.